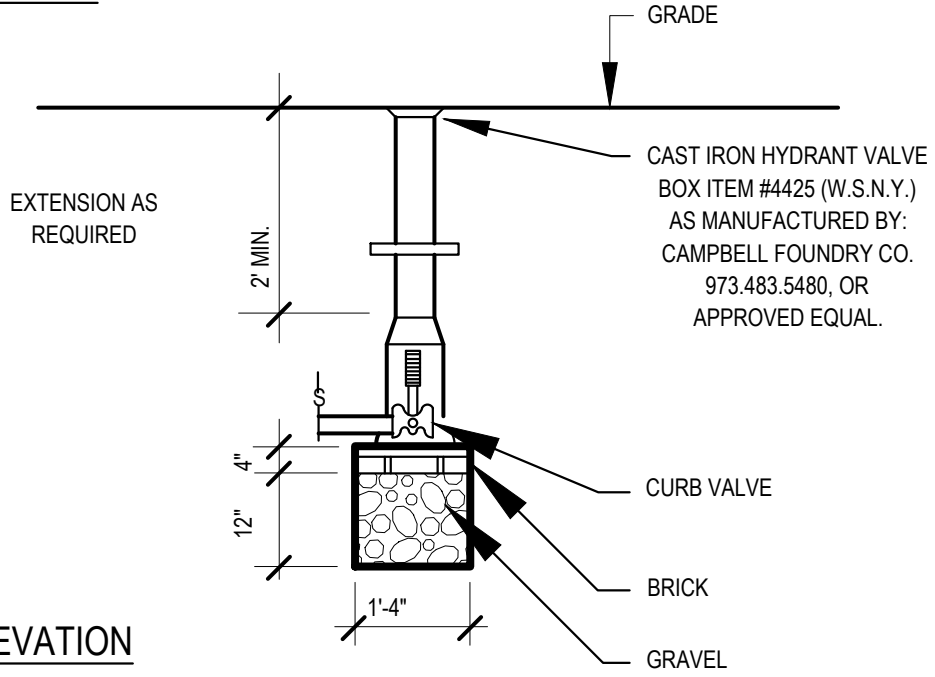


**PLAN**



**ELEVATION**



New York City Housing Authority  
 Capital Projects Division  
 Design Department  
 90 Church Street, 10th Floor  
 New York, NY 10007

Title: **VALVE BOX FOR  
 SPRAY SHOWER/HOSE  
 BIBB DRAINAGE**

Contract Name: <b>GROUNDS REQUIREMENT</b>	Contract No. <b>GD XXXXXXX</b>	Scale: <b>Not to Scale</b>	Drawing No. <b>PLU- 07</b>
	Drawn by: <b>G. SOUKAS</b>	Checked by: <b>K. MARSHAL</b>	