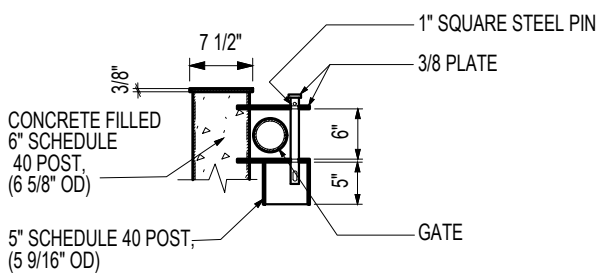


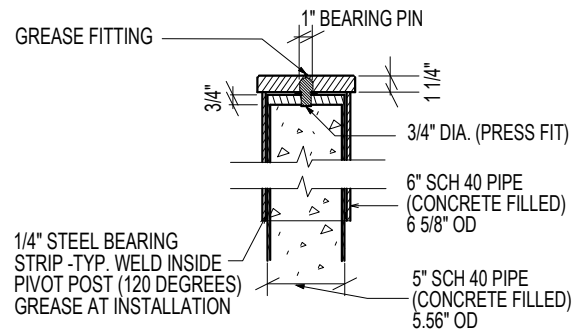
PLAN VIEW

NOTE-
 ALL STEEL PIECES PHOSPHATE WASHED, PRIMED WITH ZINC RICH PRIMER, AND PAINTED WITH EXTERIOR GRADE POLYESTER POWDER COAT. COLOR SHALL BE Traffic Yellow (RAL 1023).
 2" WIDE PERMANAT SILVER REFLECTIVE TAPE SHALL BE APPLIED; 2 APPLICATIONS ON THE POSTS, 5 APPLICATIONS ON THE HORIZONTAL MEMBER, ALL EQUALLY SPACED.

BARRIER GATE, MODEL # CFBA 005-01, AS MANUFACTURED BY-
 CUSTOM FABRICATORS INC
 PO BOX 431, HARPURSVILLE NY 13787
 PH 607-693-3223 FAX 607-693-3226
 OR APPROVED EQUAL



VIEW B-B - SECTION - TIE BACK POST



DETAIL A



New York City Housing Authority
 Capital Projects Division
 Design Department
 90 Church Street, 10th Floor
 New York, NY 10007

Title:

**VEHICLE BARRIER GATE
 with TIE BACK POSTS**

Contract Name:

GROUNDS REQUIREMENT

Contract No.

GD XXXXXXX

Drawn by:

G. SOUKAS

Checked by:

K. MARSHAL

Scale:

Not to Scale

Date:

January 2017

Drawing No.

AME- 08