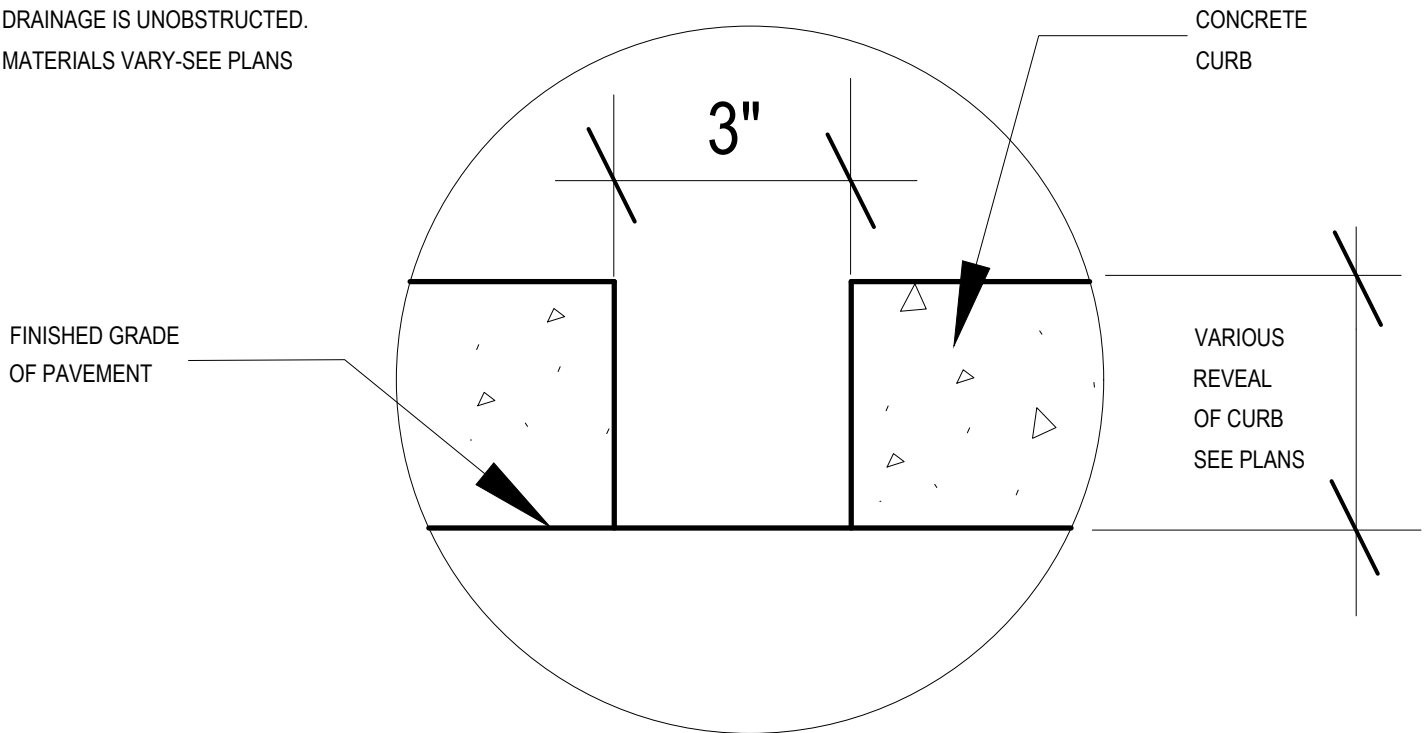


NOTES

DROP CURB SO THAT IT IS LEVEL  
WITH THE PAVEMENT AND  
DRAINAGE IS UNOBSTRUCTED.  
MATERIALS VARY-SEE PLANS



ELEVATION



New York City Housing Authority  
Capital Projects Division  
Design Department  
90 Church Street, 10th Floor  
New York, NY 10007

Title:

*SCUPPER*

Contract Name:

**GROUNDS REQUIREMENT**

Contract No.

**GD XXXXXXX**

Drawn by:  
G. SOUKAS

Checked by:  
K. MARSHAL

Scale:

**Not to Scale**

Date:

**January 2017**

Drawing No.

**CUR- 01**