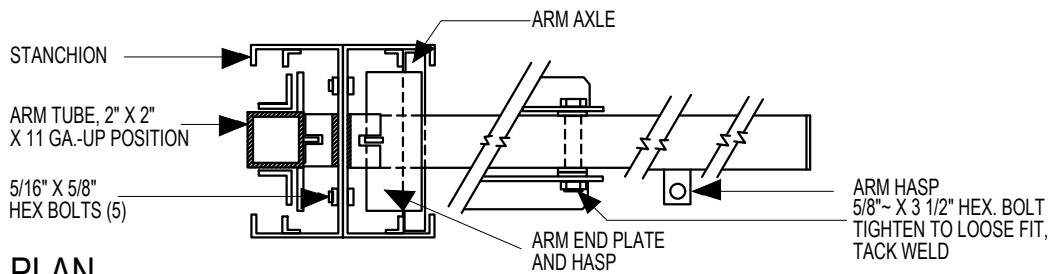
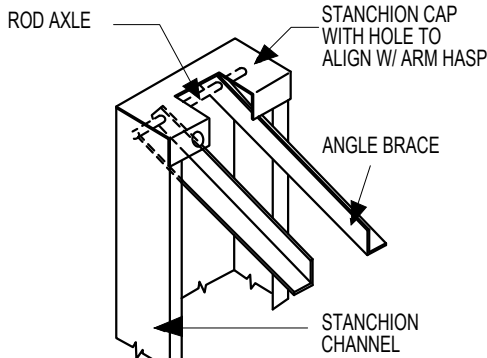
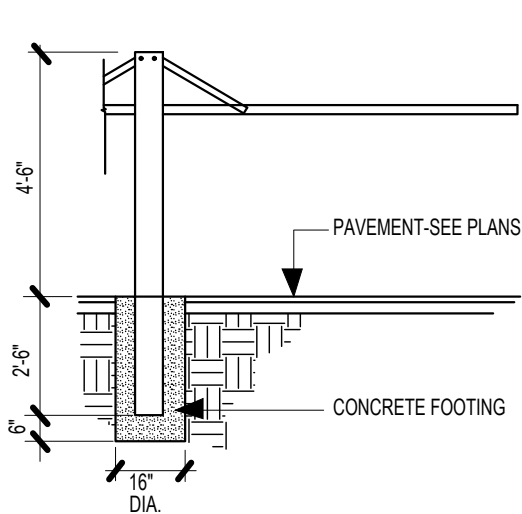


**SECTION**



**PLAN**



**STANCHION CAP AND BRACE ASSEMBLY**

**NOTE**

1. METAL COMPONENTS SHALL BE HOT DIPPED GALVINIZED THROUGHOUT
2. SEE SPECIFICATIONS FOR ADDITIONAL INFORMATION ON MATERIALS.
3. NUMERALS SHALL BE PAINTED WHITE ON PAVEMENT FOR EACH STALL IN SEQUENCE, AND CONFORM TO THE SPEC FOR PAINTED LINES.



New York City Housing Authority  
 Capital Projects Division  
 Design Department  
 90 Church Street, 10th Floor  
 New York, NY 10007

Title:

**PARKING GUARD**

Contract Name:

**GROUNDS REQUIREMENT**

Contract No.

**GD XXXXXXX**

Drawn by:  
G. SOUKAS

Checked by:  
K. MARSHAL

Scale:

**Not to Scale**

Date:

**January 2017**

Drawing No.

**AME- 09**