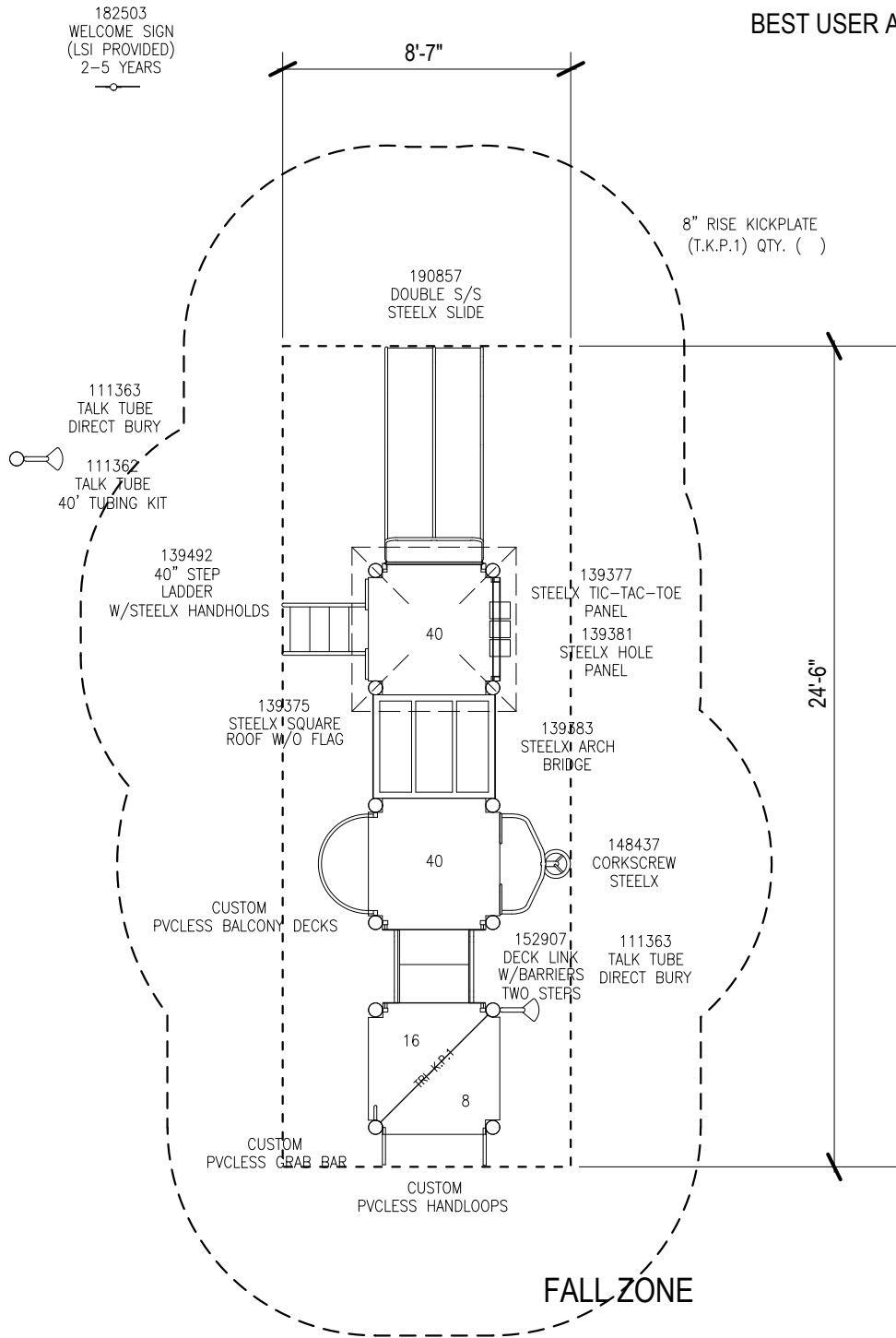


BEST USER AGE: 2 - 5



New York City Housing Authority
 Capital Projects Division
 Design Department
 90 Church Street, 10th Floor
 New York, NY 10007

Title:

LANDSCAPE STRUCTURES
84732-1-1 (F)

Contract Name:

GROUNDS REQUIREMENT

Contract No.

GD XXXXXXX

Drawn by:
G. SOUKAS

Checked by:
K. MARSHAL

Scale:

Not to Scale

Date:

January 2017

Drawing No.

PYL- 05