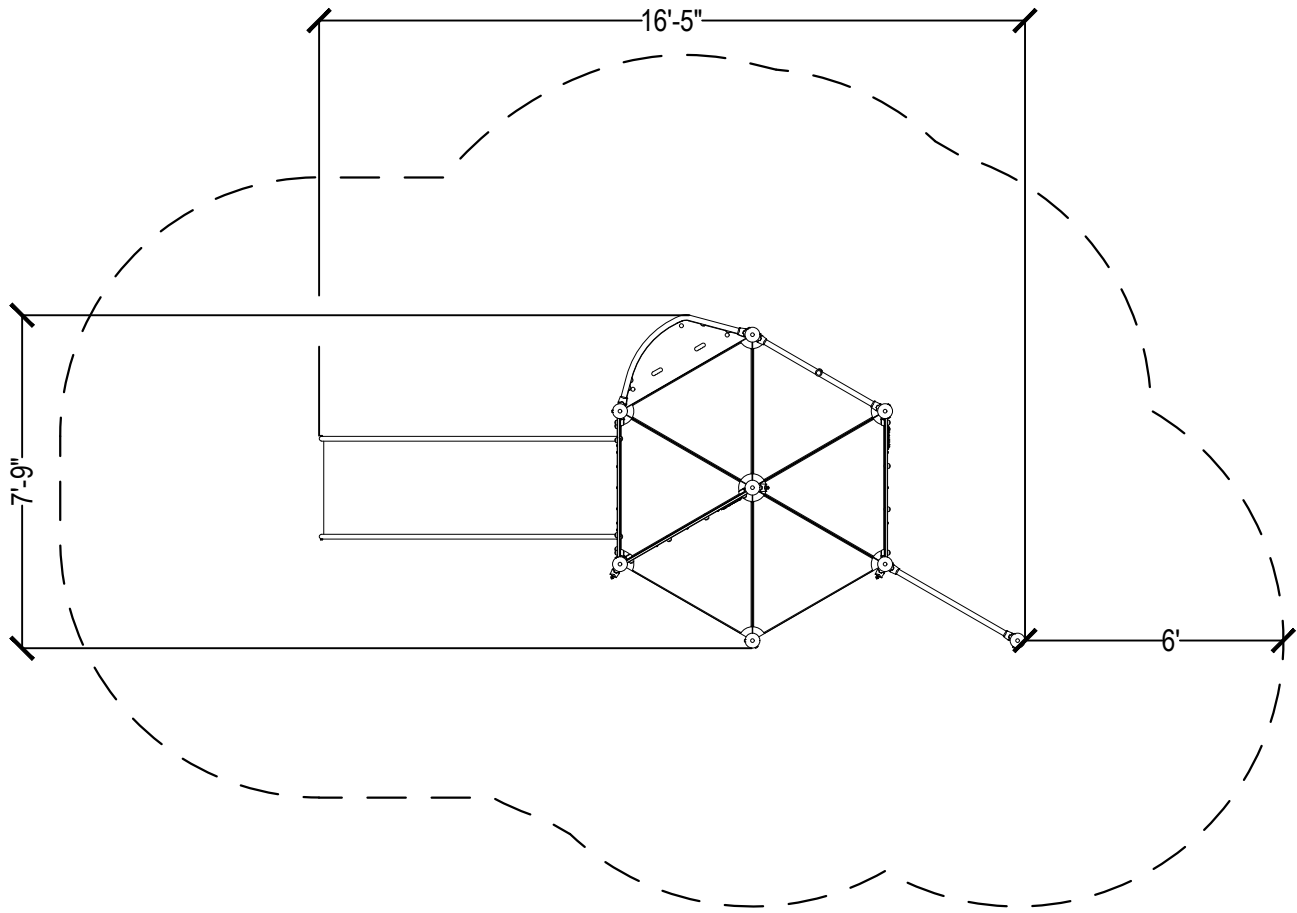


BEST USER AGE: 5-12

HIGHEST PLAY SURFACE: 3'-10"



ADA ANALYSIS	Elevated Activities: 3	Accessible Elevated Activities	Accessible Ground Level Activities	Accessible Ground Level Play Types
	PRESENT	3	1	1
	REQUIRED	2	1	1



New York City Housing Authority
 Capital Projects Division
 Design Department
 90 Church Street, 10th Floor
 New York, NY 10007

Title:

URBAN PLAY TOWER
 WITH BALCONY
 PCM111904

Contract Name:

GROUNDS REQUIREMENT

Contract No.

GD XXXXXXXX

Drawn by:

G. SOUKAS

Checked by:

K. MARSHAL

Scale:

Not to Scale

Date:

January 2017

Drawing No.

PYK- 10