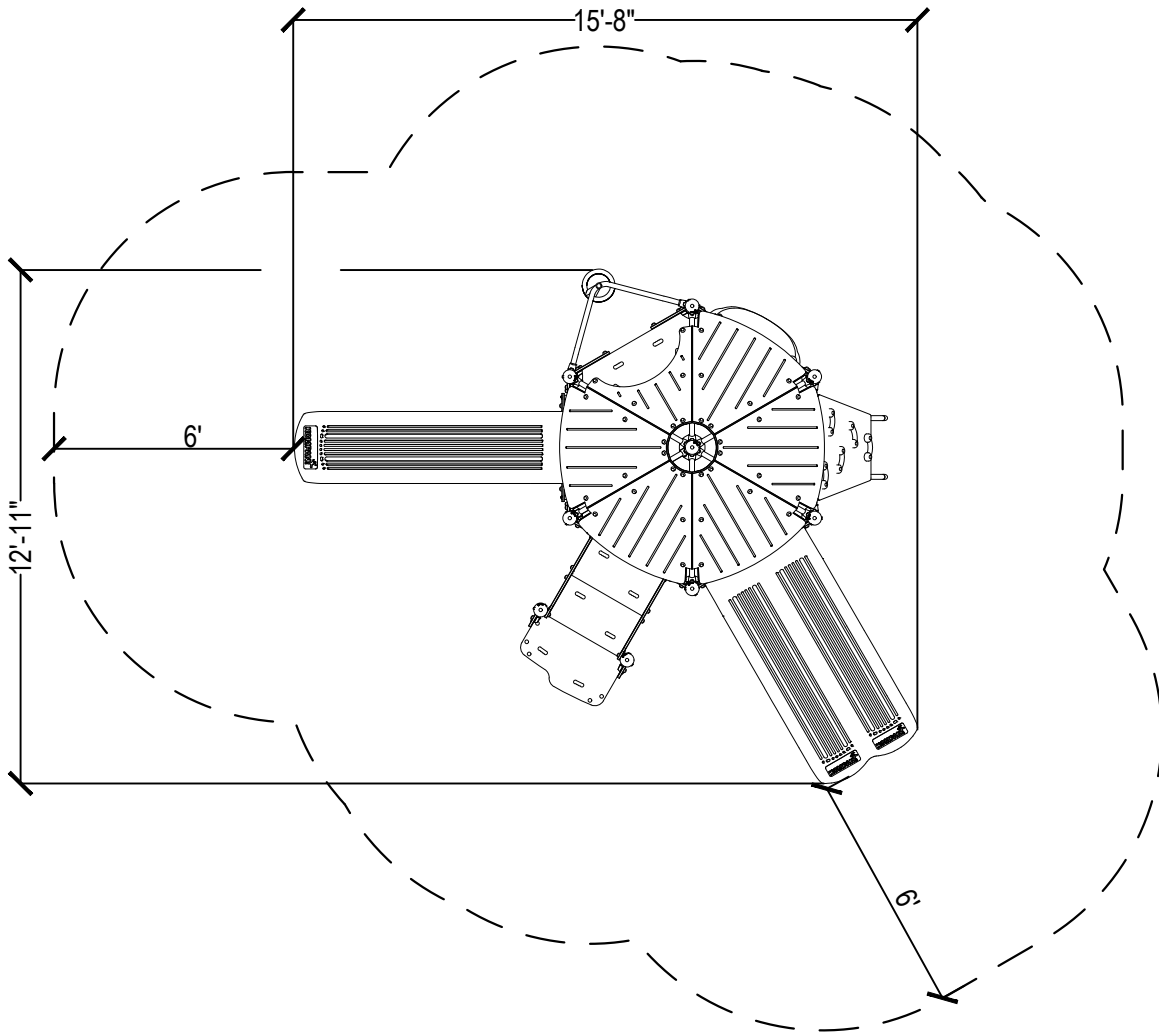


BEST USER AGE: 2-5
 HIGHEST PLAY SURFACE: 6'-8"



ADA ANALYSIS	Elevated Activities: 6	Accessible Elevated Activities	Accessible Ground Level Activities	Accessible Ground Level Play Types
	PRESENT	6	2	2
	REQUIRED	3	2	2



New York City Housing Authority
 Capital Projects Division
 Design Department
 90 Church Street, 10th Floor
 New York, NY 10007

Title:

MEGA TOWER, ULTIMATE
 PCM100810-2D-US

Contract Name:

GROUNDS REQUIREMENT

Contract No.

GD XXXXXXX

Drawn by:
 G. SOUKAS

Checked by:
 K. MARSHAL

Scale:

Not to Scale

Date:

January 2017

Drawing No.

PYK- 03