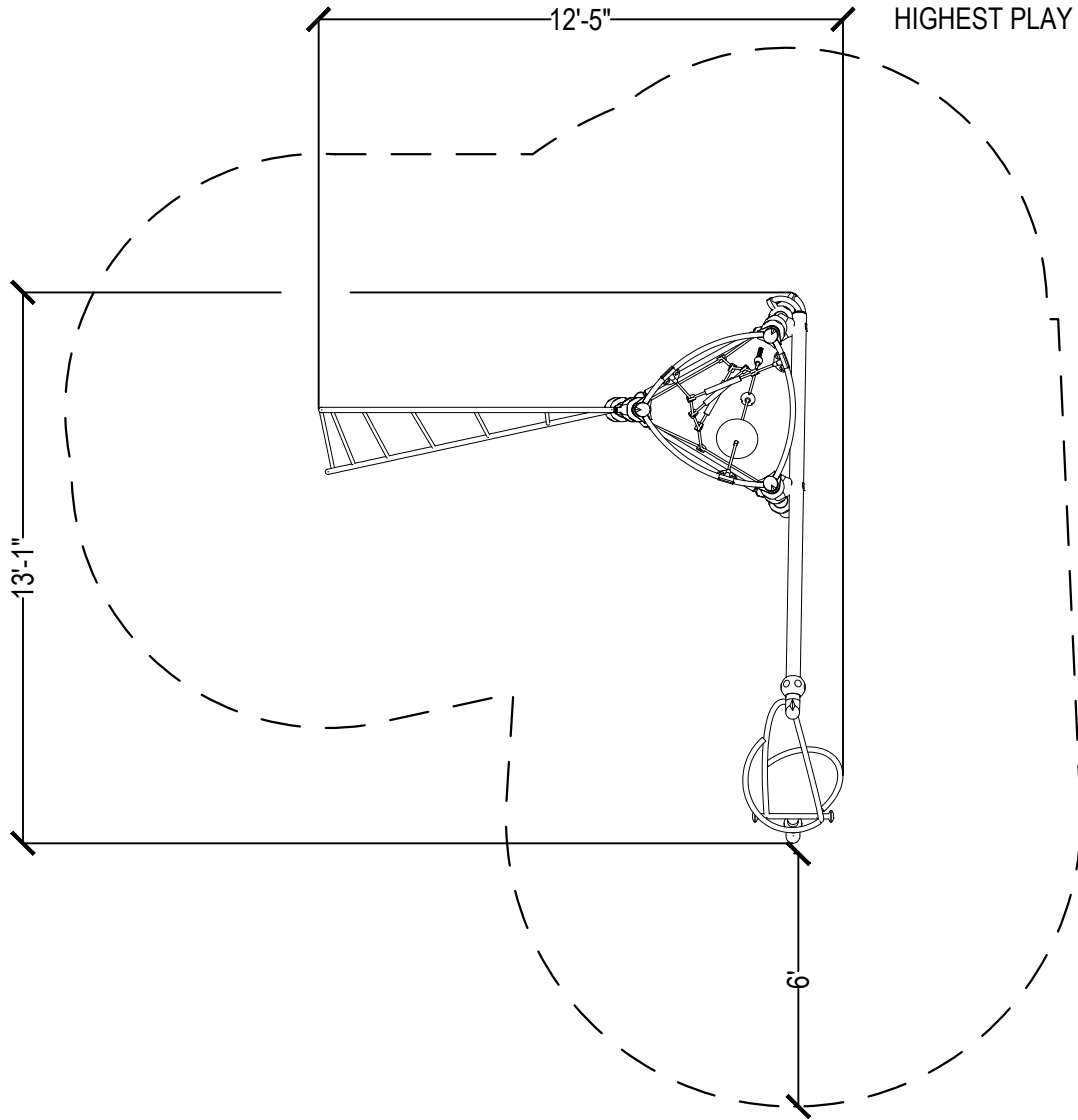


BEST USER AGE: 5-12

HIGHEST PLAY SURFACE: 8'-2"



ADA ANALYSIS	Elevated Activities: 0	Accessible Elevated Activities	Accessible Ground Level Activities	Accessible Ground Level Play Types
	PRESENT	0	3	3
	REQUIRED	0	3	3



New York City Housing Authority
 Capital Projects Division
 Design Department
 90 Church Street, 10th Floor
 New York, NY 10007

Title: GALAXY:
 RIGEL
 GXY936012

Contract Name:
GROUNDS REQUIREMENT

Contract No.
 GD XXXXXXXX
 Drawn by:
 G. SOUKAS
 Checked by:
 K. MARSHAL

Scale:
 Not to Scale
 Date:
 January 2017

Drawing No.
PYK- 06