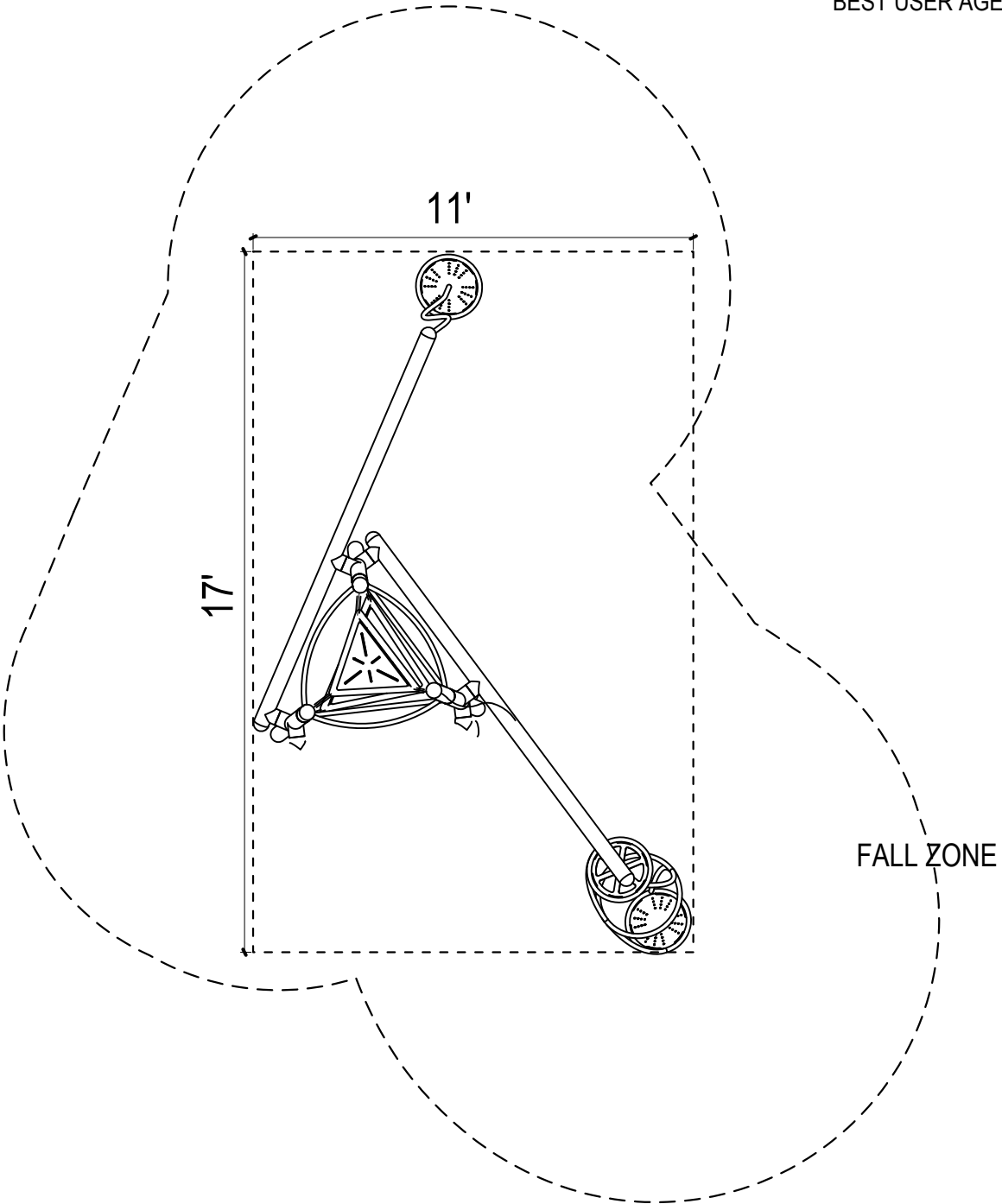


BEST USER AGE: 5-12



New York City Housing Authority
 Capital Projects Division
 Design Department
 90 Church Street, 10th Floor
 New York, NY 10007

Title: **COLUMBIA CASCADE
 MODEL NO. 7807-M2
 INTERPLAY STRUCTURE**

Contract Name: GROUNDS REQUIREMENT	Contract No. GD XXXXXXX	Scale: Not to Scale	Drawing No. PYC- 10
	Drawn by: G. SOUKAS	Checked by: K. MARSHAL	Date: January 2017