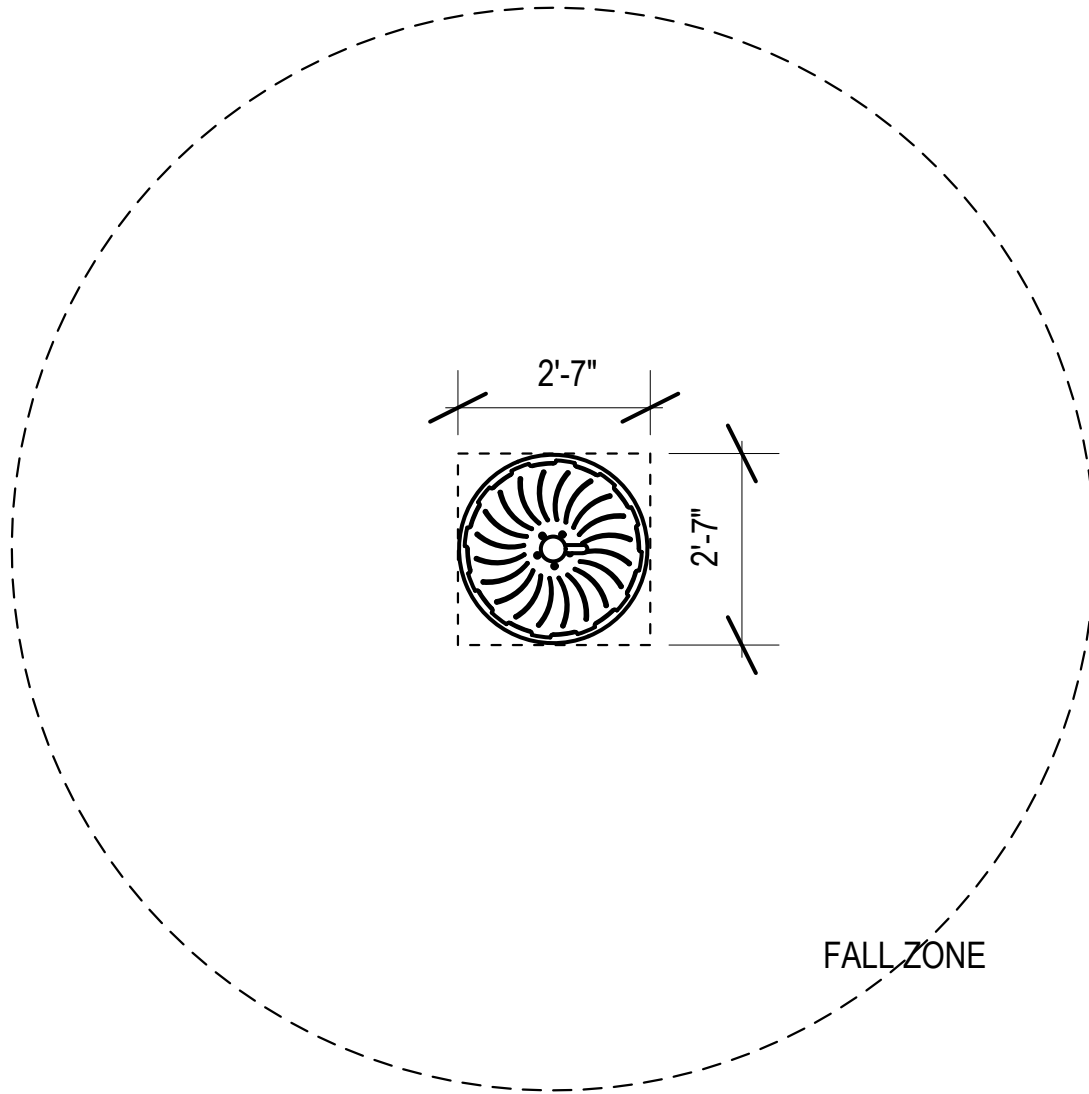


BEST USER AGE: 2 - 5
5-12



New York City Housing Authority
Capital Projects Division
Design Department
90 Church Street, 10th Floor
New York, NY 10007

Title:

**COLUMBIA CASCADE
MODEL NO. 1630-2-21-PL
KID MIXER**

Contract Name:

GROUNDS REQUIREMENT

Contract No.

GD XXXXXXX

Drawn by:

G. SOUKAS

Checked by:

K. MARSHAL

Scale:

Not to Scale

Date:

January 2017

Drawing No.

PYC- 02