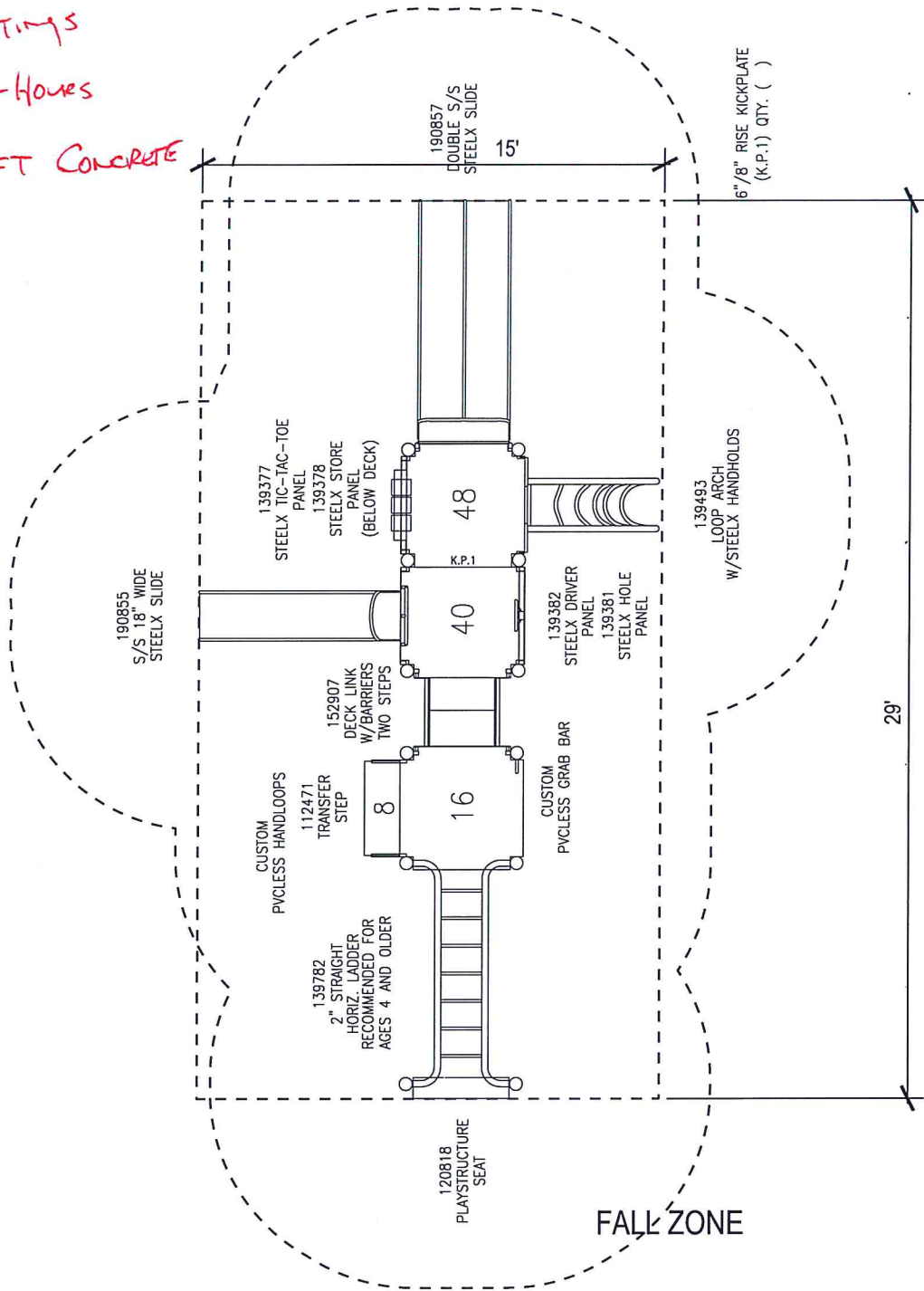


20 Footings
 40 MIN-Hours
 32.5 cu-ft CONCRETE



New York City Housing Authority
 Capital Projects Division
 Office of Design
 90 Church Street, 10th Floor
 New York, NY 10007

Title:

LANDSCAPE STRUCTURES
84730-1-1

Contract Name:

GROUNDS REQUIREMENT

Contract No.

Drawn by:

Checked by:

Scale:

Not to Scale

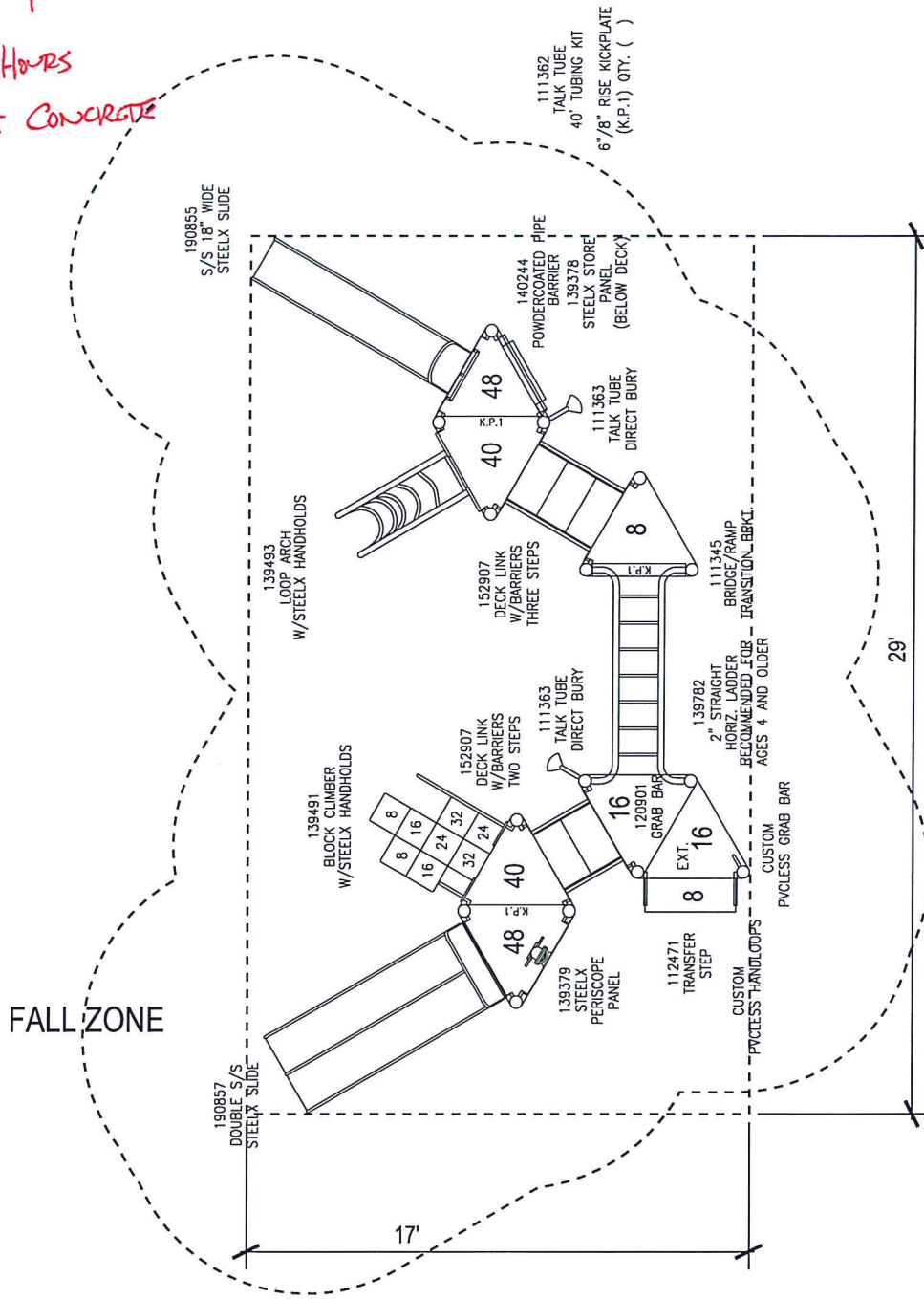
Date:

APRIL 2017

Drawing No.

PLS-01

26 FOOTINGS
 40 MAN-HOURS
 43 CU-FT CONCRETE



New York City Housing Authority
 Capital Projects Division
 Office of Design
 90 Church Street, 10th Floor
 New York, NY 10007

Title:

**LANDSCAPE STRUCTURES
 84731-1-1 (B)**

Contract Name:

GROUNDS REQUIREMENT

Contract No.

Drawn by:

Checked by:

Scale:

Not to Scale

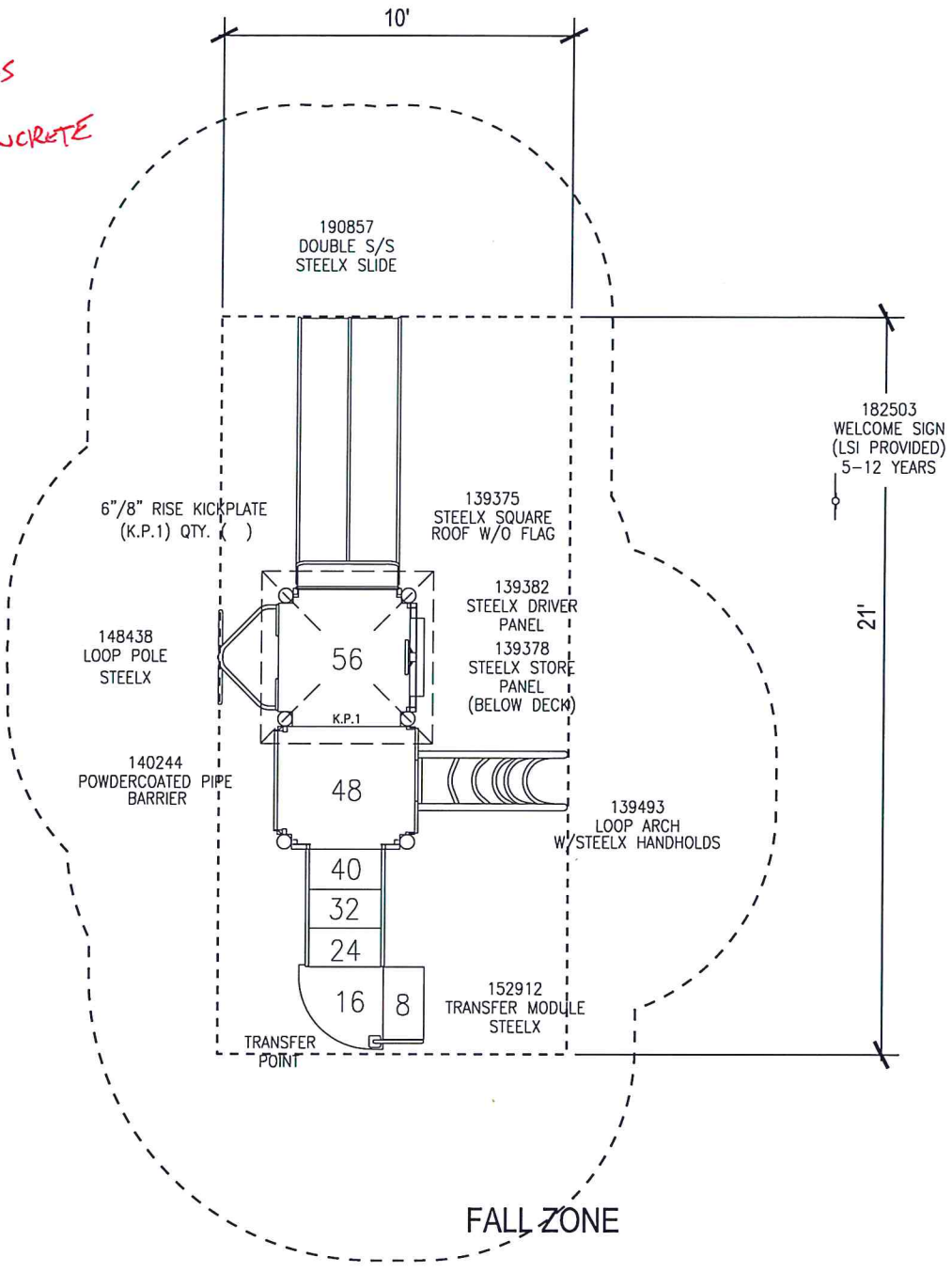
Date:

APRIL 2017

Drawing No.

PLS-03

15 FOOTINGS
 22 MAIN-HOURS
 26 CU-FT CONCRETE

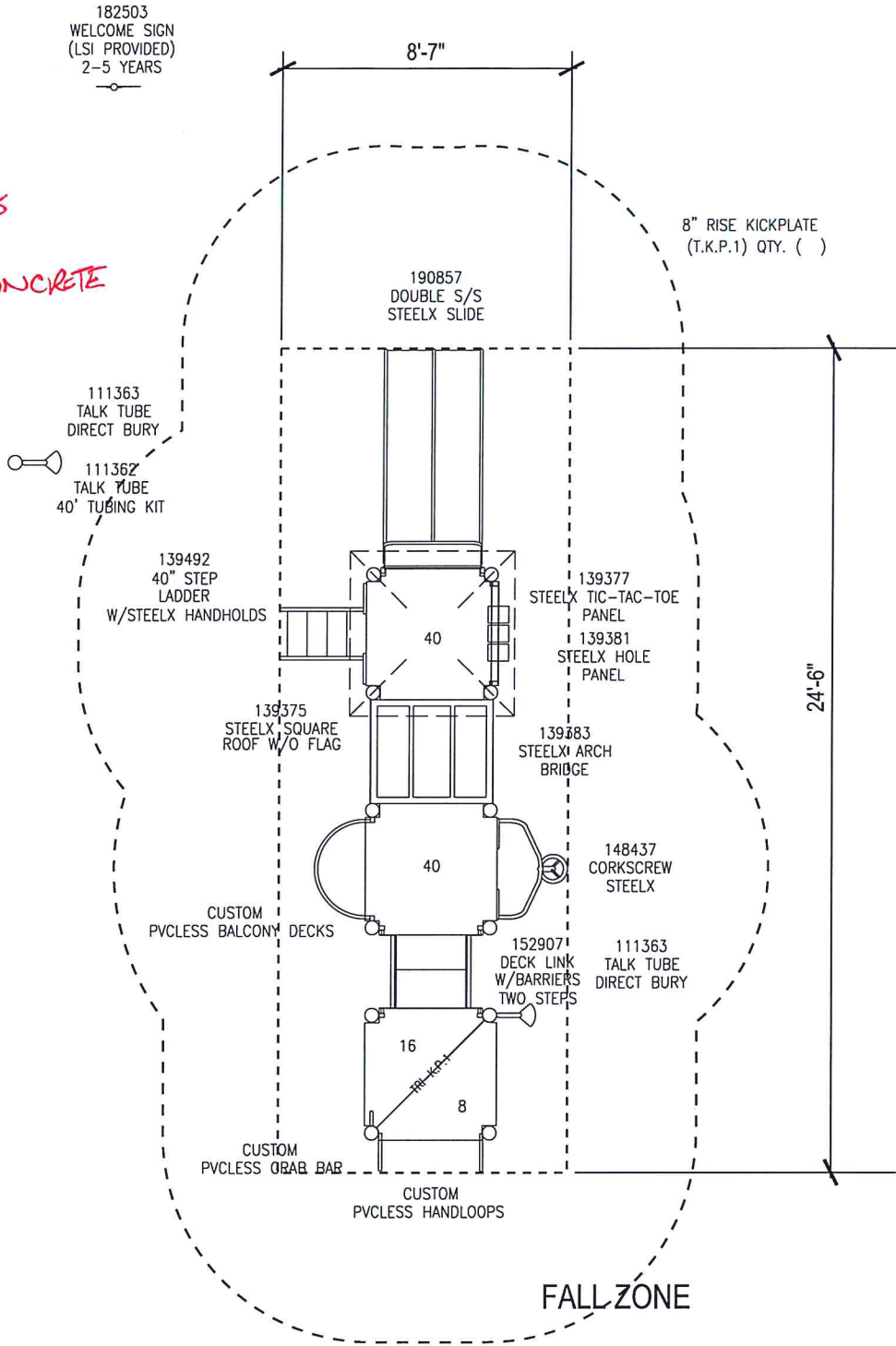


New York City Housing Authority
 Capital Projects Division
 Office of Design
 90 Church Street, 10th Floor
 New York, NY 10007

Title:
LANDSCAPE STRUCTURES
84732-1-1 (C)

Contract Name: GROUNDS REQUIREMENT	Contract No.	Scale: Not to Scale	Drawing No. PLS-04
	Drawn by:	Checked by:	

19 Footings
 40 Man-Hours
 35 Cu-Ft Concrete



New York City Housing Authority
 Capital Projects Division
 Office of Design
 90 Church Street, 10th Floor
 New York, NY 10007

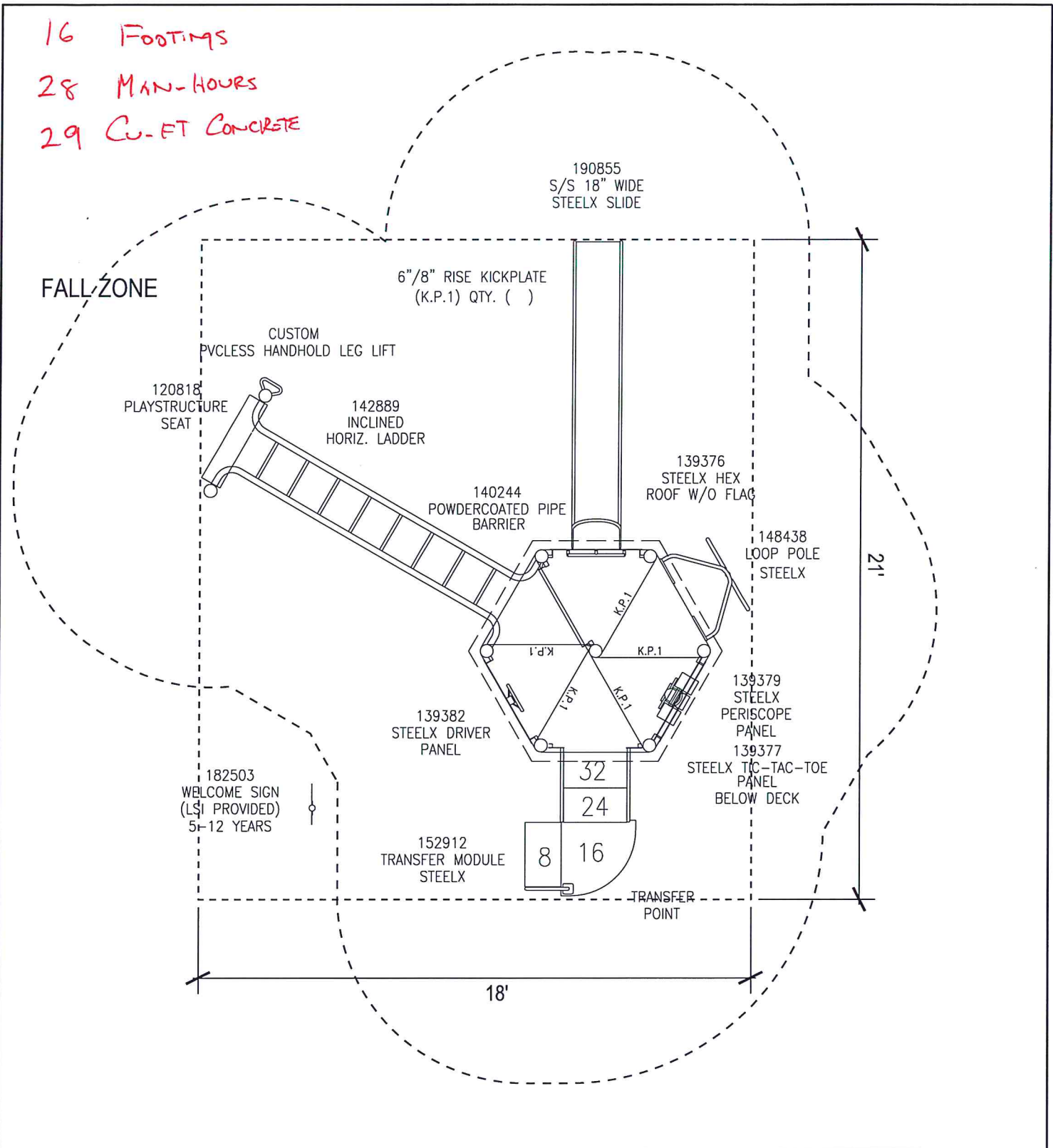
Title:
LANDSCAPE STRUCTURES
84732-1-1 (F)

Contract Name: GROUNDS REQUIREMENT	Contract No.	Scale: Not to Scale	Drawing No. PLS-05
	Drawn by:	Checked by:	

16 FOOTINGS

28 MAN-HOURS

29 CU-FT CONCRETE



New York City Housing Authority
 Capital Projects Division
 Office of Design
 90 Church Street, 10th Floor
 New York, NY 10007

Title:
LANDSCAPE STRUCTURES
84733-1-1

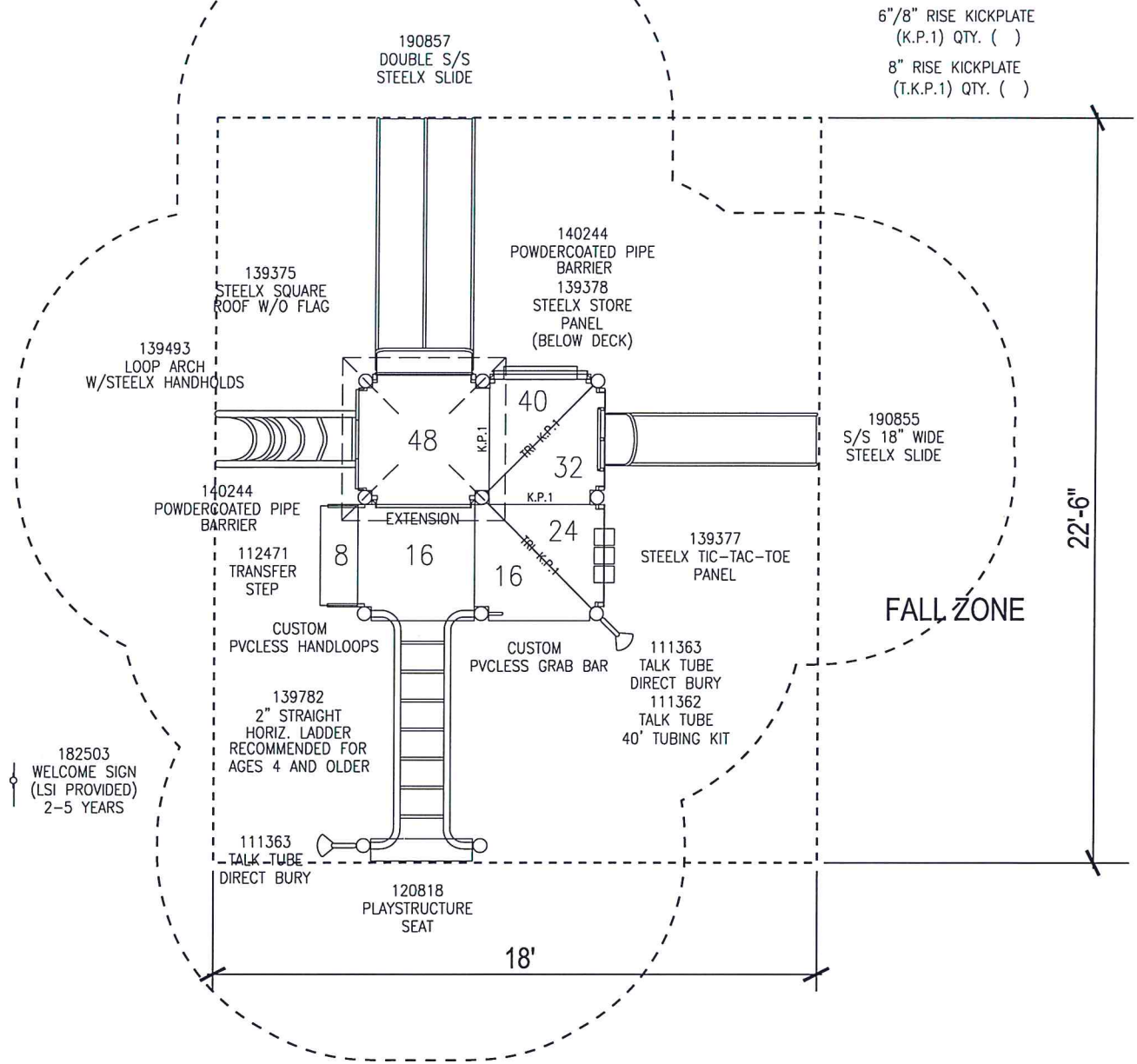
Contract Name:
GROUNDS REQUIREMENT

Contract No.
 Drawn by: Checked by:

Scale:
 Not to Scale
 Date:
 APRIL 2017

Drawing No.
PLS-06

20 Footings
 38 Man-Hours
 32 Cu-Ft Concrete



New York City Housing Authority
 Capital Projects Division
 Office of Design
 90 Church Street, 10th Floor
 New York, NY 10007

Title:

LANDSCAPE STRUCTURES
84735-1-1 (A)

Contract Name:

GROUNDS REQUIREMENT

Contract No.

Drawn by:

Checked by:

Scale:

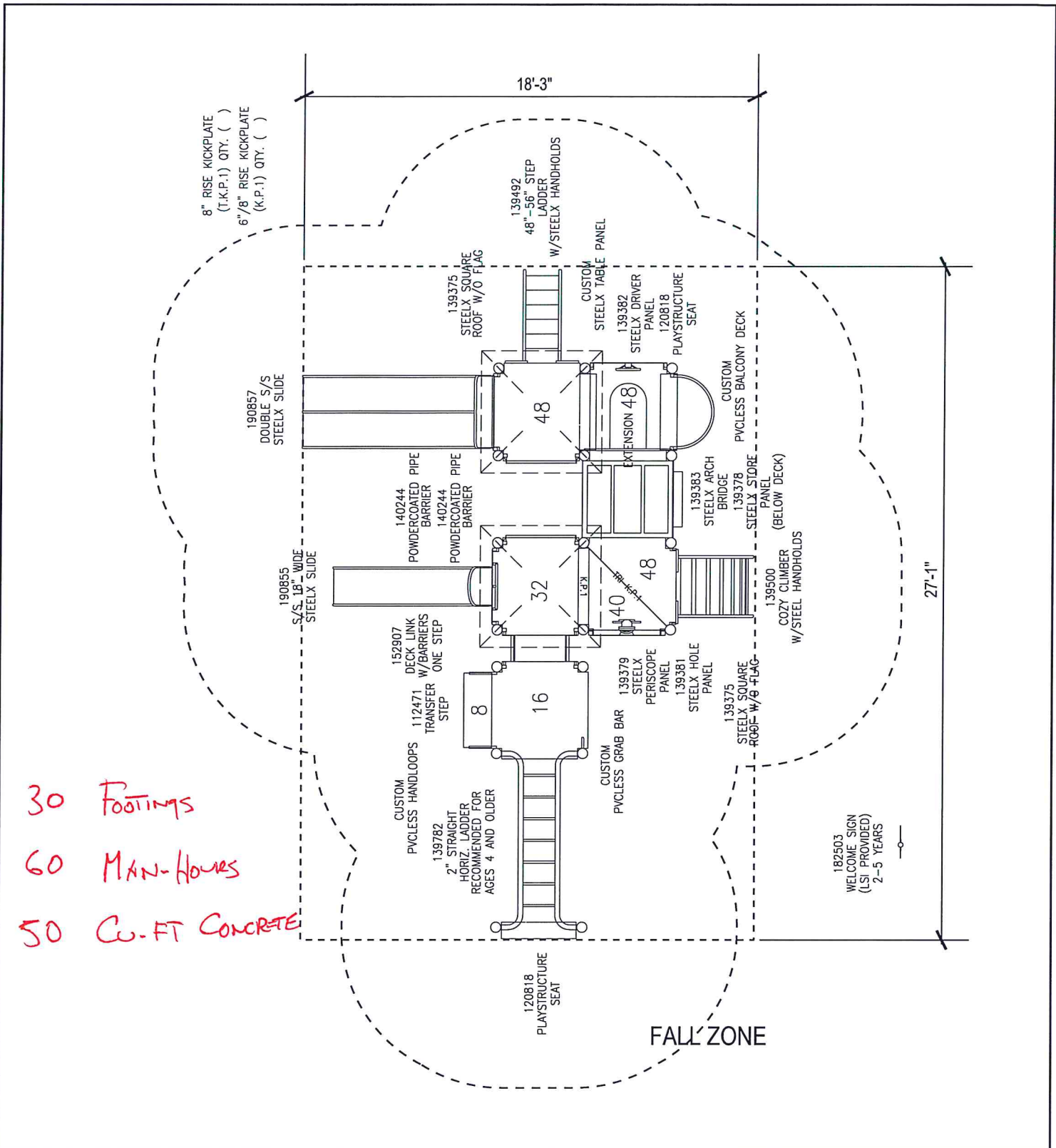
Not to Scale

Date:

APRIL 2017

Drawing No.

PLS-07



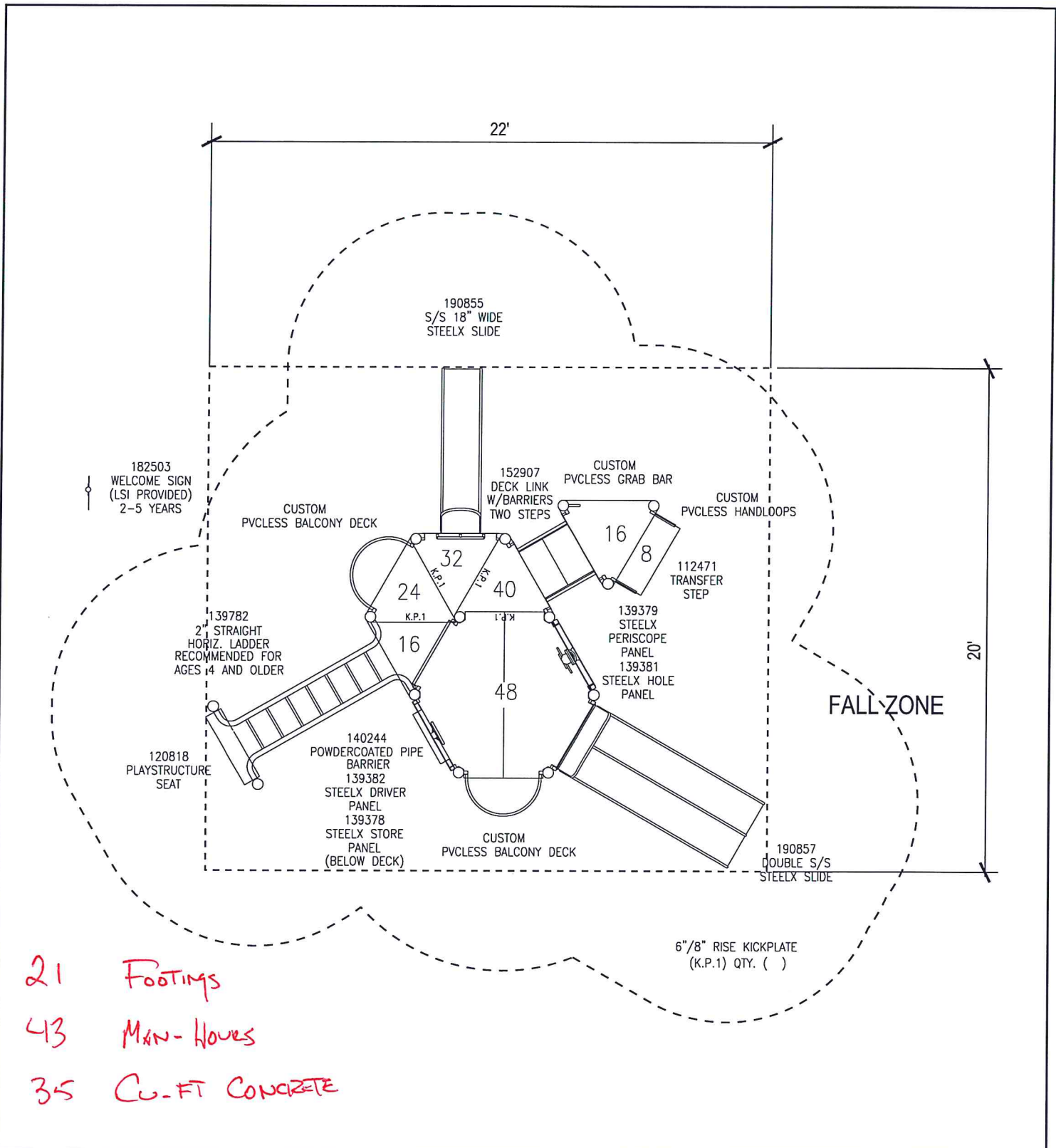
30 Footings
60 Man-Hours
50 Cu-Ft Concrete



New York City Housing Authority
Capital Projects Division
Office of Design
90 Church Street, 10th Floor
New York, NY 10007

Title:
LANDSCAPE STRUCTURES
84735-1-1 (B)

Contract Name: GROUNDS REQUIREMENT	Contract No.	Scale: Not to Scale	Drawing No. PLS-08
	Drawn by:	Checked by:	



21 Footings
 43 Main-Hours
 35 Cu-Ft Concrete



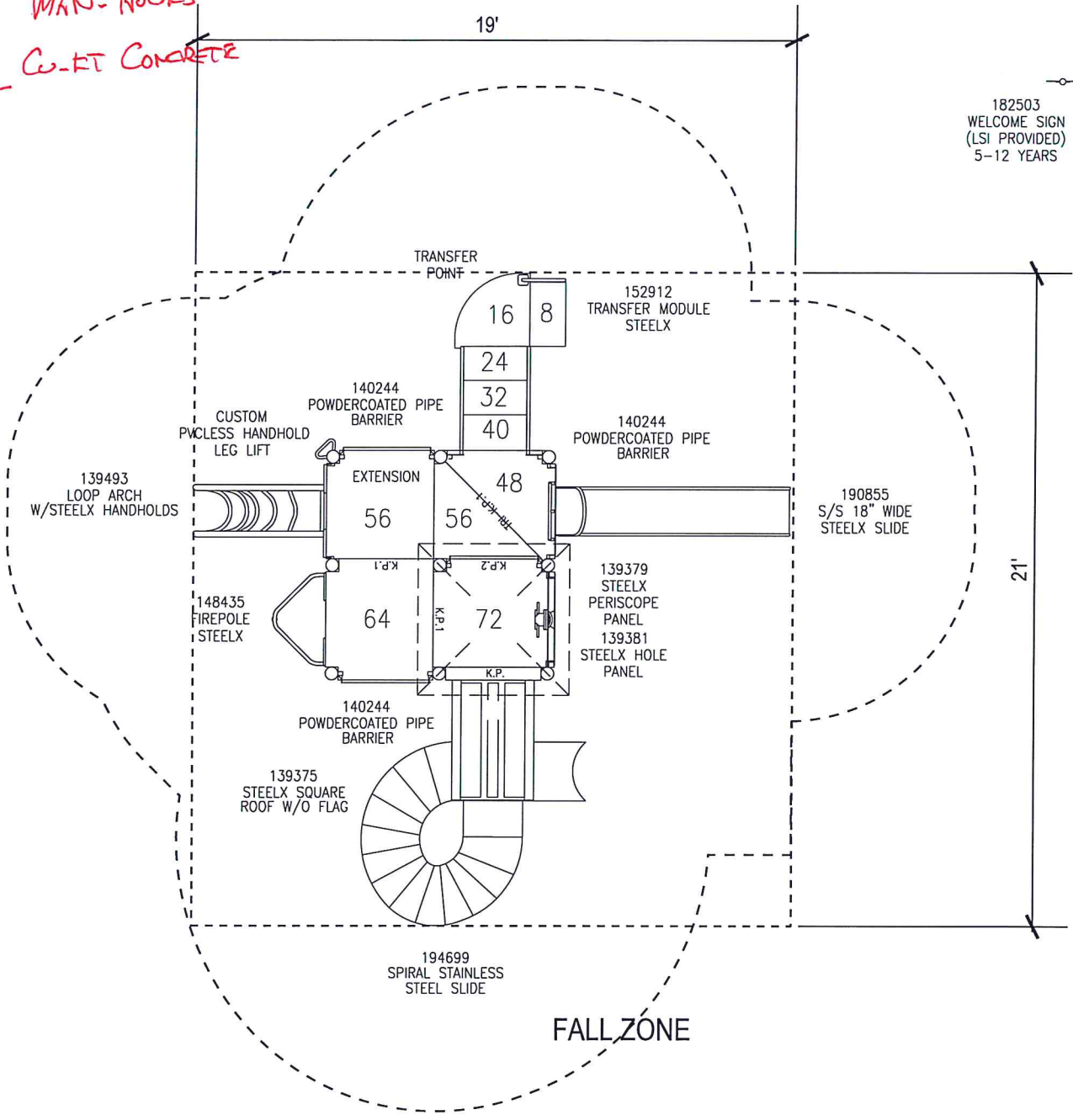
New York City Housing Authority
 Capital Projects Division
 Office of Design
 90 Church Street, 10th Floor
 New York, NY 10007

Title:
LANDSCAPE STRUCTURES
84735-1-1 (D)

Contract Name: GROUNDS REQUIREMENT	Contract No.		Scale: Not to Scale	Drawing No. PLS-09
	Drawn by:	Checked by:	Date: APRIL 2017	

23 FOOTINGS
 49 MAN-HOURS
 42 CU-FT CONCRETE

182503
 WELCOME SIGN
 (LSI PROVIDED)
 5-12 YEARS



New York City Housing Authority
 Capital Projects Division
 Office of Design
 90 Church Street, 10th Floor
 New York, NY 10007

Title:
LANDSCAPE STRUCTURES
84735-1-1 (E)

Contract Name:
GROUNDS REQUIREMENT

Contract No.
 Drawn by: _____
 Checked by: _____

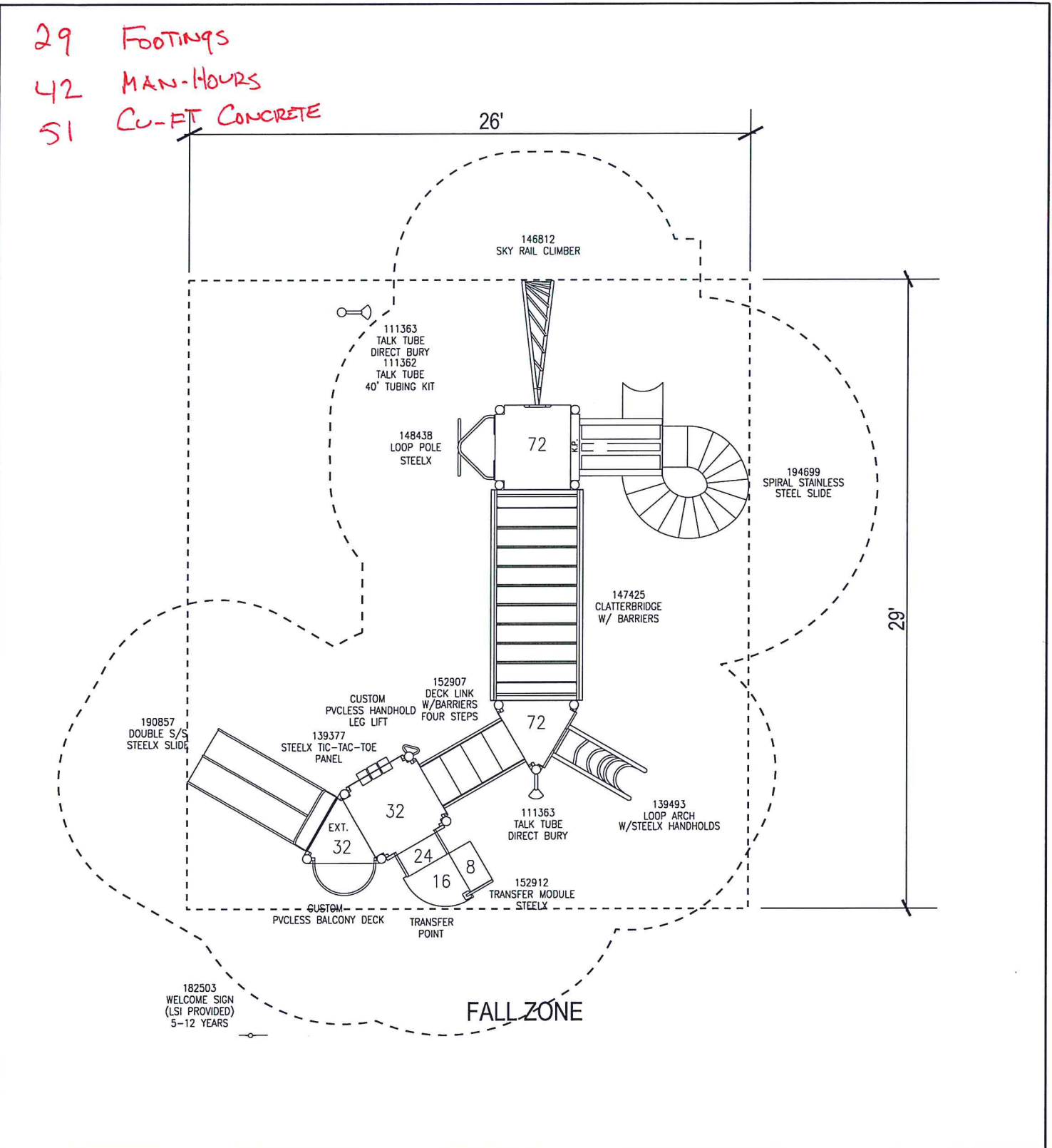
Scale:
 Not to Scale
 Date:
 APRIL 2017

Drawing No.
PLS-10

29 FOOTINGS
 42 MAN-HOURS
 51 CU-FT CONCRETE

26'

29'



New York City Housing Authority
 Capital Projects Division
 Office of Design
 90 Church Street, 10th Floor
 New York, NY 10007

Title:

**LANDSCAPE STRUCTURES
 84735-1-1 (F)**

Contract Name:

GROUNDS REQUIREMENT

Contract No.

Drawn by:

Checked by:

Scale:

Not to Scale

Date:

APRIL 2017

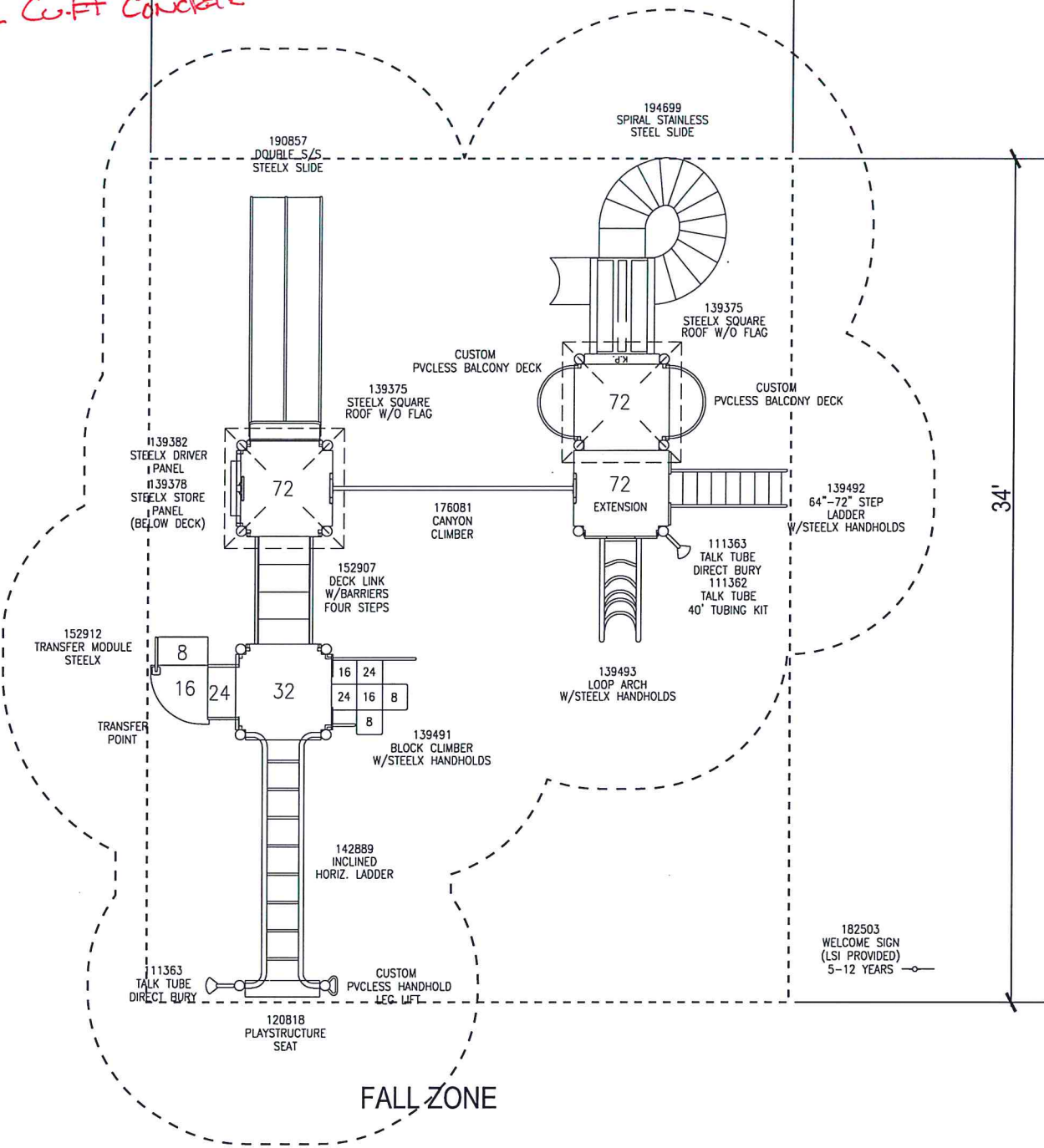
Drawing No.

PLS-11

34 FOOTINGS
 53 MAN-HOURS
 62 CU-FT CONCRETE

26'

34'



New York City Housing Authority
 Capital Projects Division
 Office of Design
 90 Church Street, 10th Floor
 New York, NY 10007

Title:

LANDSCAPE STRUCTURES
84735-1-1 (G)

Contract Name:

GROUNDS REQUIREMENT

Contract No.

Drawn by:

Checked by:

Scale:

Not to Scale

Date:

APRIL 2017

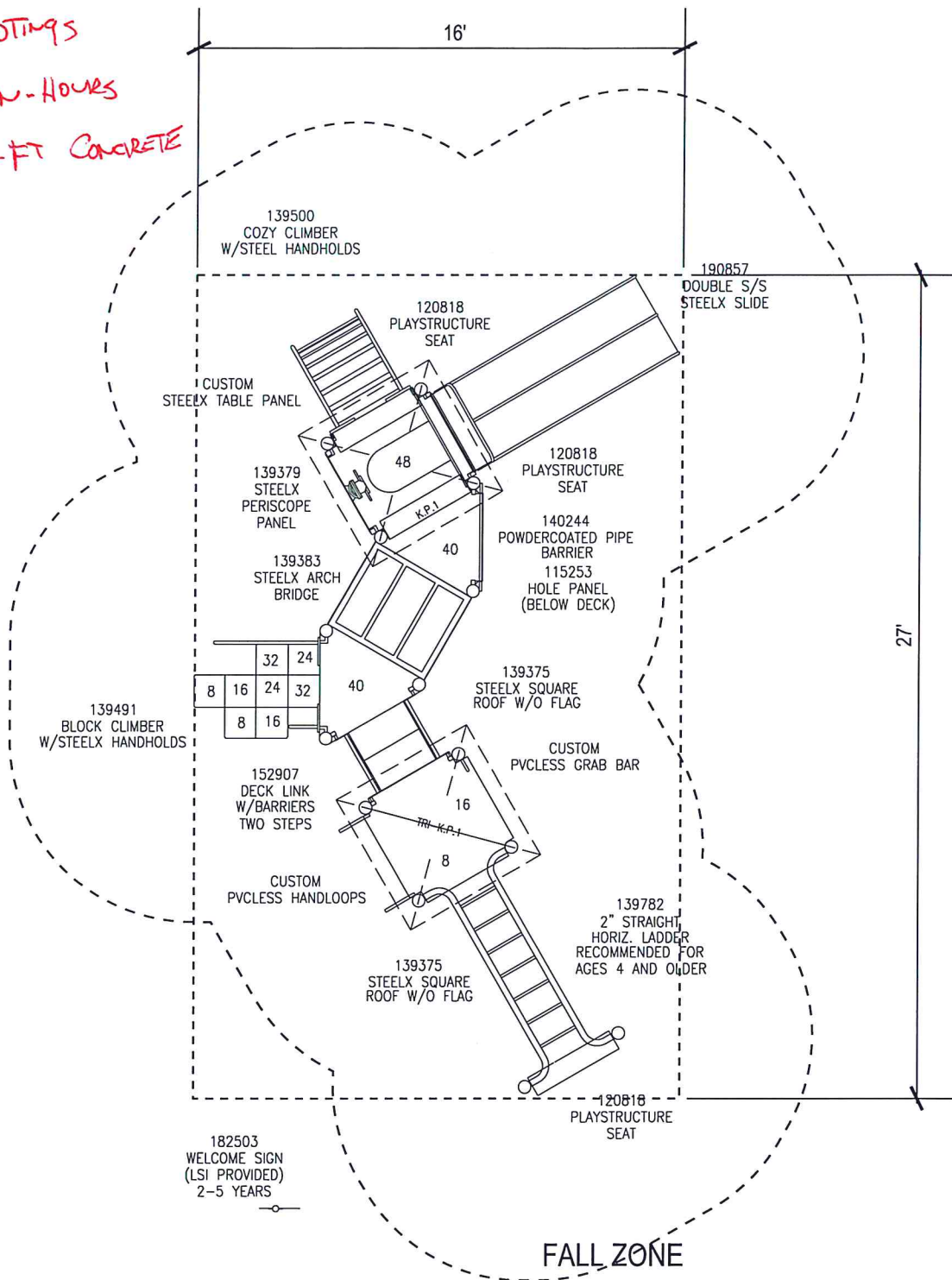
Drawing No.

PLS-12

23 FOOTINGS

51 MAN-HOURS

39 CU-FT CONCRETE



New York City Housing Authority
 Capital Projects Division
 Office of Design
 90 Church Street, 10th Floor
 New York, NY 10007

Title:

LANDSCAPE STRUCTURES
84735-1-1 (J)

Contract Name:

GROUNDS REQUIREMENT

Contract No.

Drawn by:

Checked by:

Scale:

Not to Scale

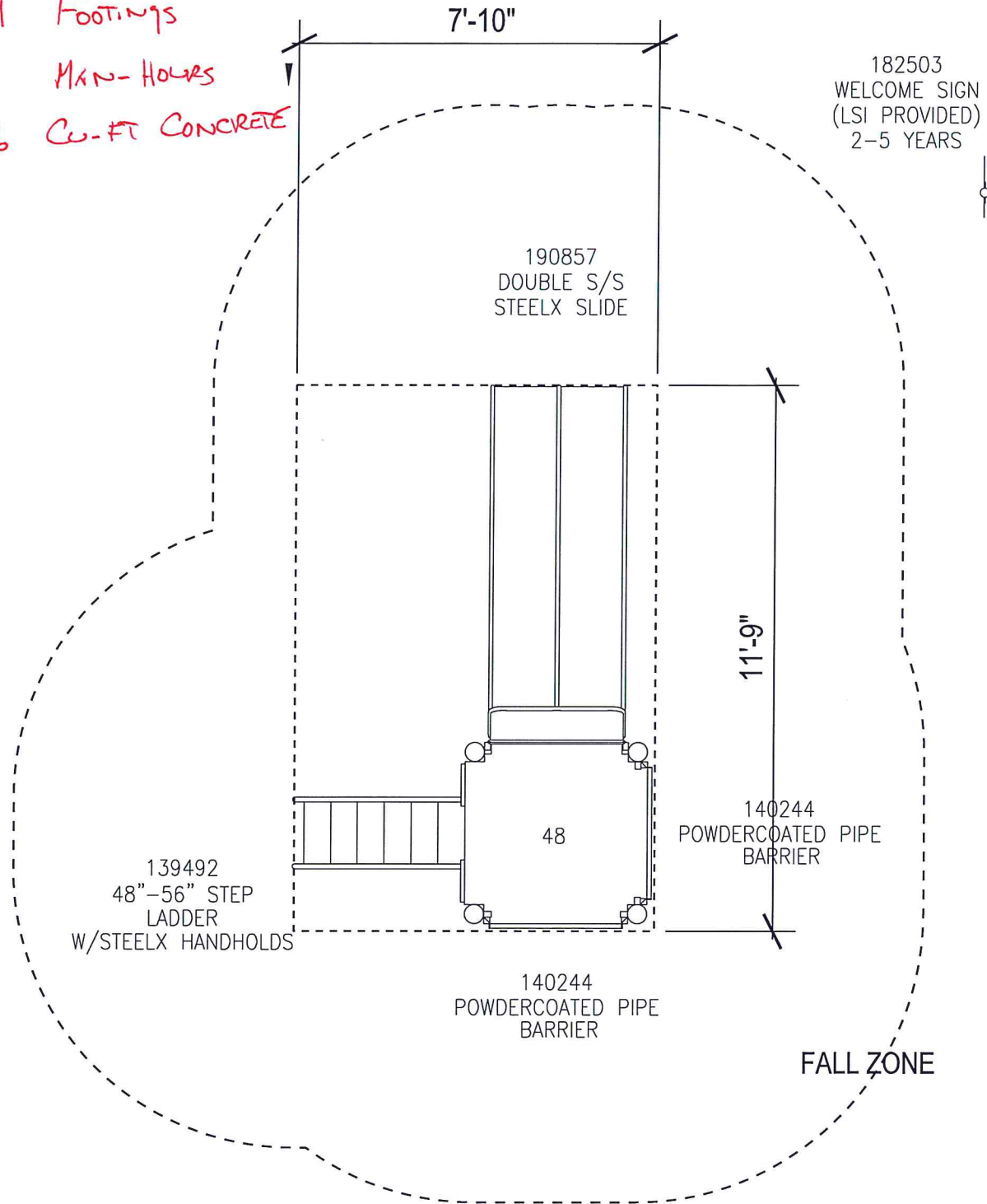
Date:

APRIL 2017

Drawing No.

PLS-13

9 FOOTINGS
 11 MAN-HOURS
 16 CU-FT CONCRETE



182503
 WELCOME SIGN
 (LSI PROVIDED)
 2-5 YEARS

FALL ZONE



New York City Housing Authority
 Capital Projects Division
 Office of Design
 90 Church Street, 10th Floor
 New York, NY 10007

Title:

LANDSCAPE STRUCTURES
84735-1-1 (M)

Contract Name:

GROUNDS REQUIREMENT

Contract No.

Drawn by:

Checked by:

Scale:

Not to Scale

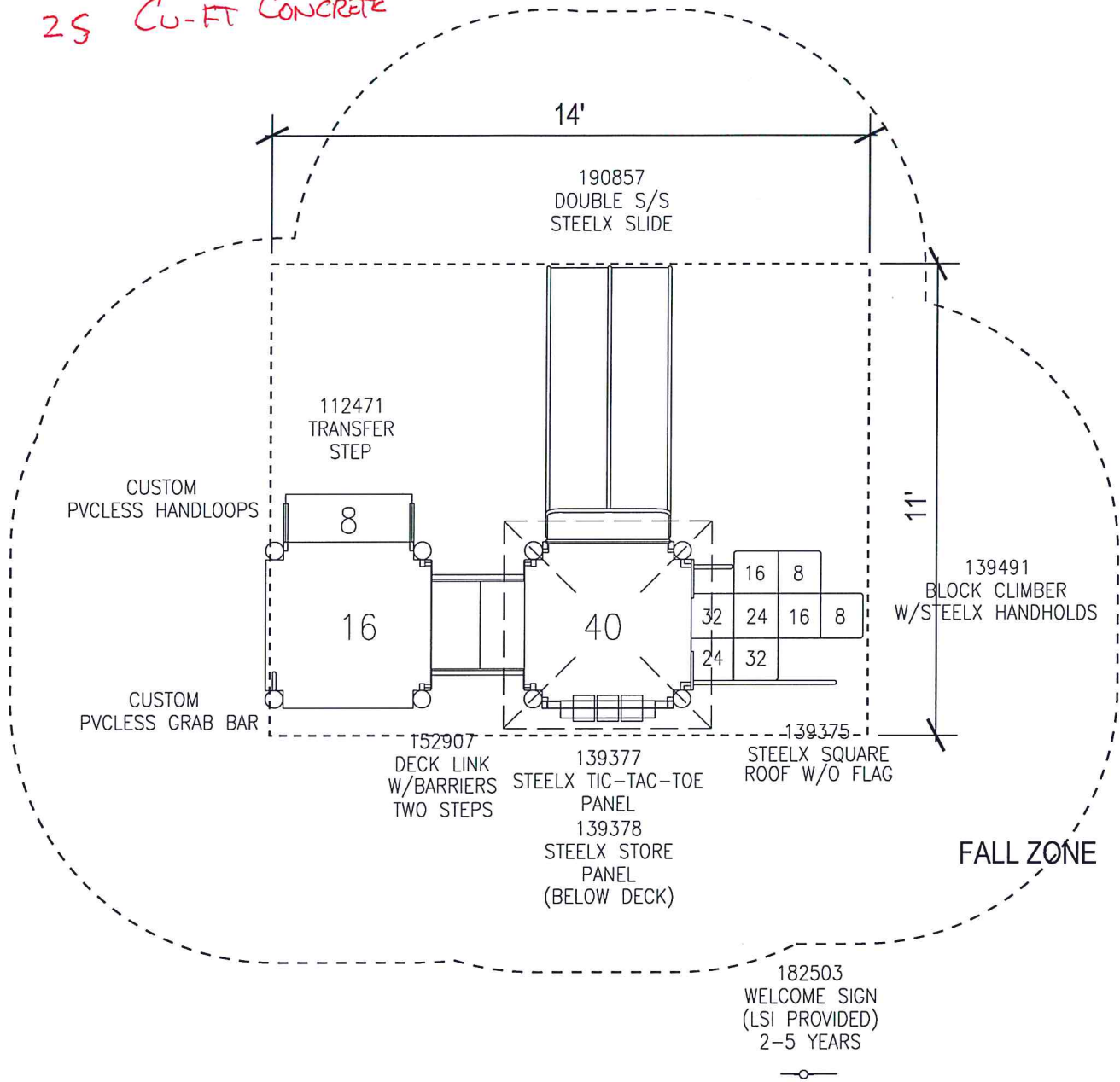
Date:

APRIL 2017

Drawing No.

PLS-15

16 FOOTINGS
 23 MAIN-HOLDS
 25 CU-FT CONCRETE



New York City Housing Authority
 Capital Projects Division
 Office of Design
 90 Church Street, 10th Floor
 New York, NY 10007

Title:

**LANDSCAPE STRUCTURES
 84735-1-1 (N)**

Contract Name:

GROUNDS REQUIREMENT

Contract No.

Drawn by:

Checked by:

Scale:

Not to Scale

Date:

APRIL 2017

Drawing No.

PLS-16