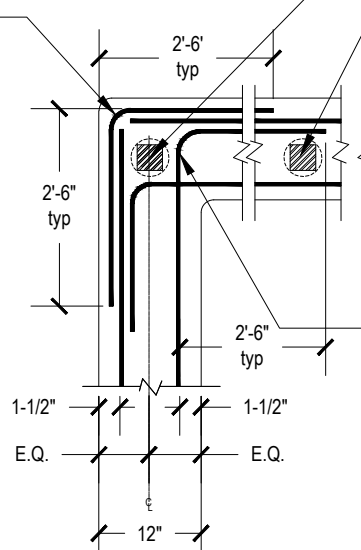


CLF-03 MIS-01 FORMED HOLE FOR FENCE POST
See "CLF SCHEDULE" and POST GROUTING

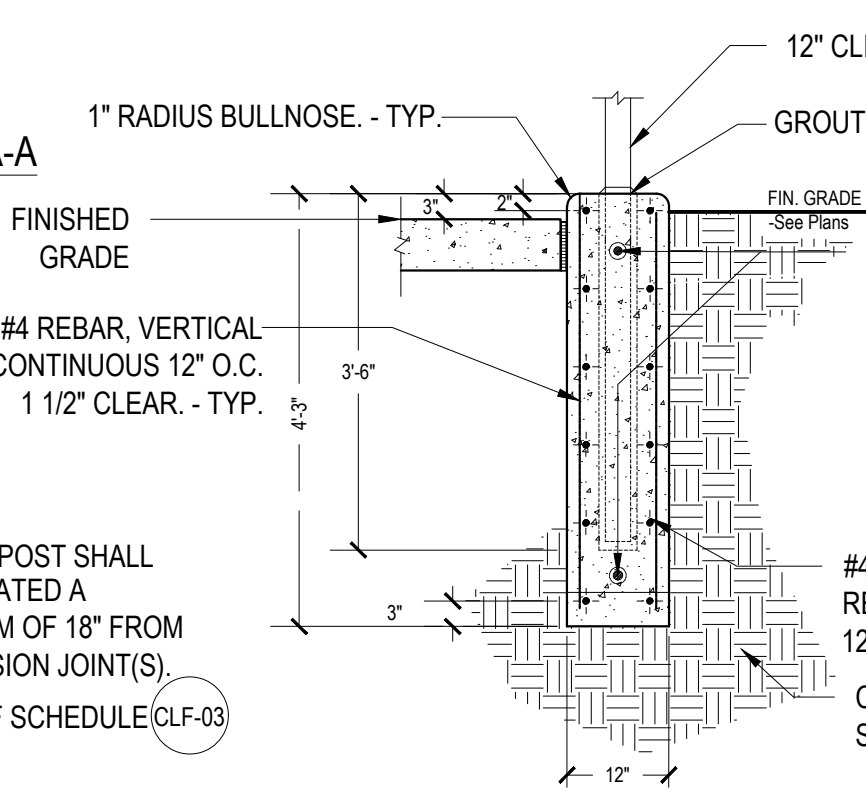
CORNER DOWEL TO MATCH HORIZONTAL REBAR

PLAN



#4 EACH FACE - TYP. CONTINUOUS HORIZONTAL REBAR - 12" O.C. MAX.
#5 DOWELS - ONE END SLEEVED - 2'-0" LONG AT EXPANSION JOINT.
1/2" PREMOLDED EXPANSION JOINT AND SEALANT 25'-0" O.C.
REBARS MUST BE BENT AND CONTINUOUS TO PROTECT ALL INSIDE AND OUTSIDE CORNERS.

SECTION A-A



12" CLF POST (CLF-01)
GROUTING (MIS-01)
#5 SLEEVED DOWELS AT EXP. JOINTS 4" Clear (Top & Bottom) - Sleeve shall be 3/4" PVC pipe or approved equal.
#4 CONTINUOUS REBAR. 12" O.C. MAX.
COMPACTED SUBGRADE

NOTE:

- FENCE POST SHALL BE LOCATED A MINIMUM OF 18" FROM EXPANSION JOINT(S).
- SEE CLF SCHEDULE (CLF-03)

Title:

CONCRETE CURB FOR 12' CHAIN LINK FENCE



New York City Housing Authority
Capital Projects Division
Design Department
90 Church Street, 10th Floor
New York, NY 10007

Contract Name:
REQUIREMENT CONTRACT FOR GROUND IMPROVEMENTS

Contract No.
GD XXXXX
Drawn by:
G. SOUKAS
Checked by:
K. MARSHAL

Scale:
Not to Scale
Date:
January 2019

Drawing No.
CUR-16