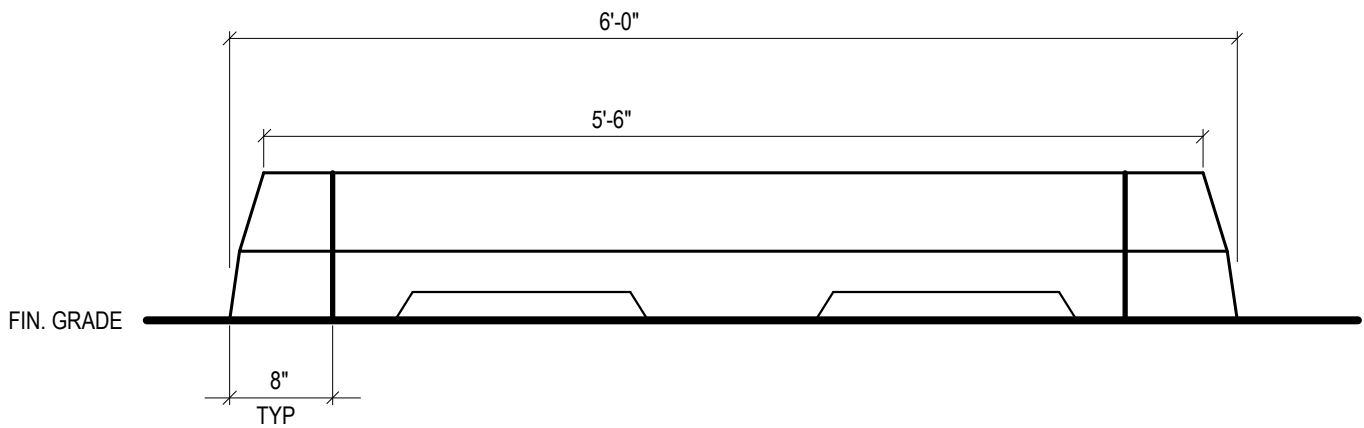
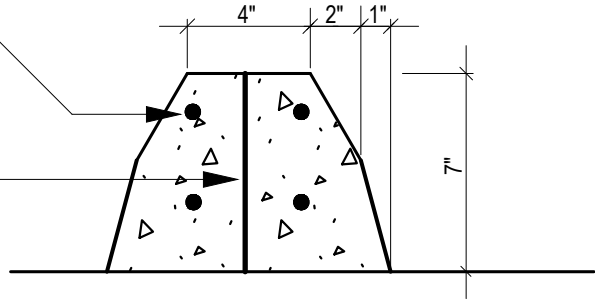


NOTE  
SEE DETAIL FOR REBAR SCHEDULE

WAL-11

FOUR (4) 3/8" DIA. HORIZONTAL  
RE-BARS, 2" CLEAR.

TWO (2) 3/4" DIA RE-BAR  
ANCHORS, 18" LONG, THROUGH  
HOLES PROVIDED IN WHEEL STOP.  
REBARS SHALL BE SET 1/2 INCH  
BELOW TOP OF WHEEL STOP.



New York City Housing Authority  
Capital Projects Division  
Design Department  
90 Church Street, 10th Floor  
New York, NY 10007

Title:

**CONCRETE WHEEL STOP**

Contract Name:

**GROUNDS REQUIREMENT**

Contract No.

**GD XXXXXXX**

Drawn by:  
G. SOUKAS

Checked by:  
K. MARSHAL

Scale:

**Not to Scale**

Date:

**January 2017**

Drawing No.

**AME- 07**