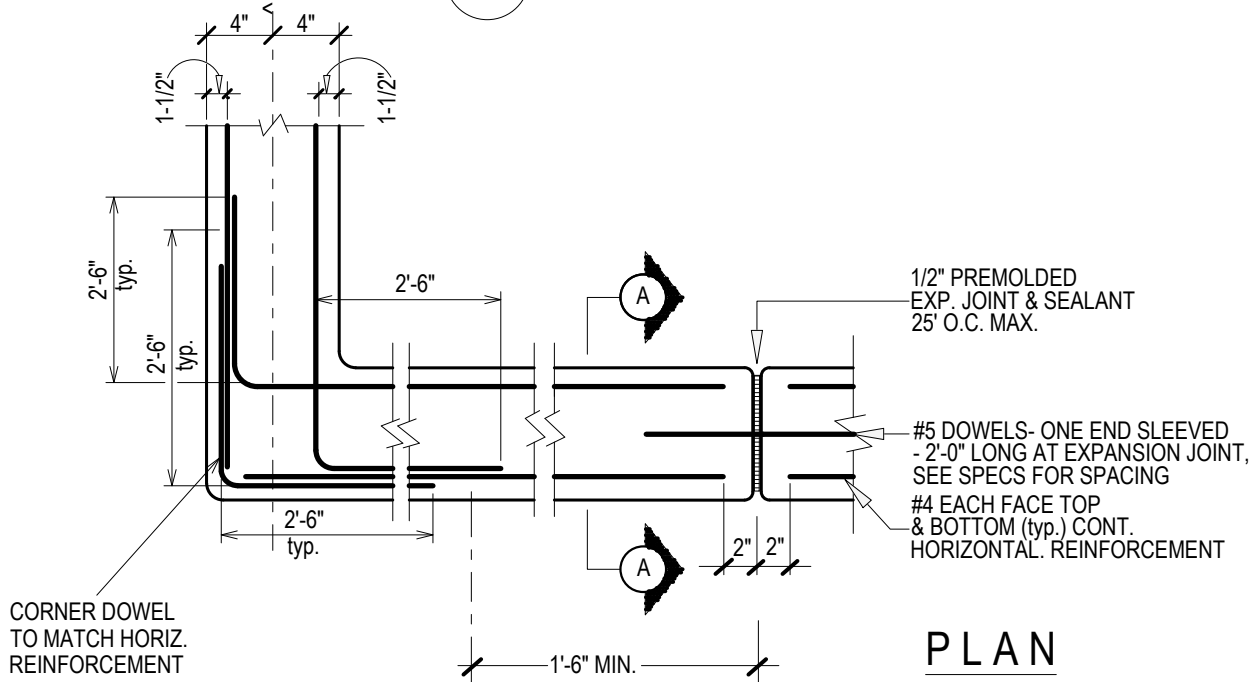


NOTE:
 FENCE POST SHALL BE LOCATED A MINIMUM OF 18" FROM EXPANSION JOINTS.
 SEE DETAIL FOR REBAR SCHEDULE (WAL-11)



PLAN



New York City Housing Authority
 Capital Projects Division
 Design Department
 90 Church Street, 10th Floor
 New York, NY 10007

Title: **3" REVEAL CONCRETE CURB FOR 3'-6" AND 4'-6" ALTERNATE PICKET SBF**

Contract Name: GROUNDS REQUIREMENT	Contract No. GD XXXXXX	Scale: Not to Scale	Drawing No.
	Drawn by: G. SOUKAS	Checked by: K. MARSHAL	CUR- 08
		Date: January 2017	