

PROGRAM UNIT :

BY DATE	Rev. No.	SUBMISSION

Development:

Building Address:

Building No: ORACLE No:

Borough of:

Zone No.: Zoning Map No.:

Block No.: Lot No.:

E.D.P. No.: Development No.:

Contract Title:

RFQ No.:

Drawing Title:

CHAIN-LINK FENCE DETAILS

Seal & Signature:

Drawn By:

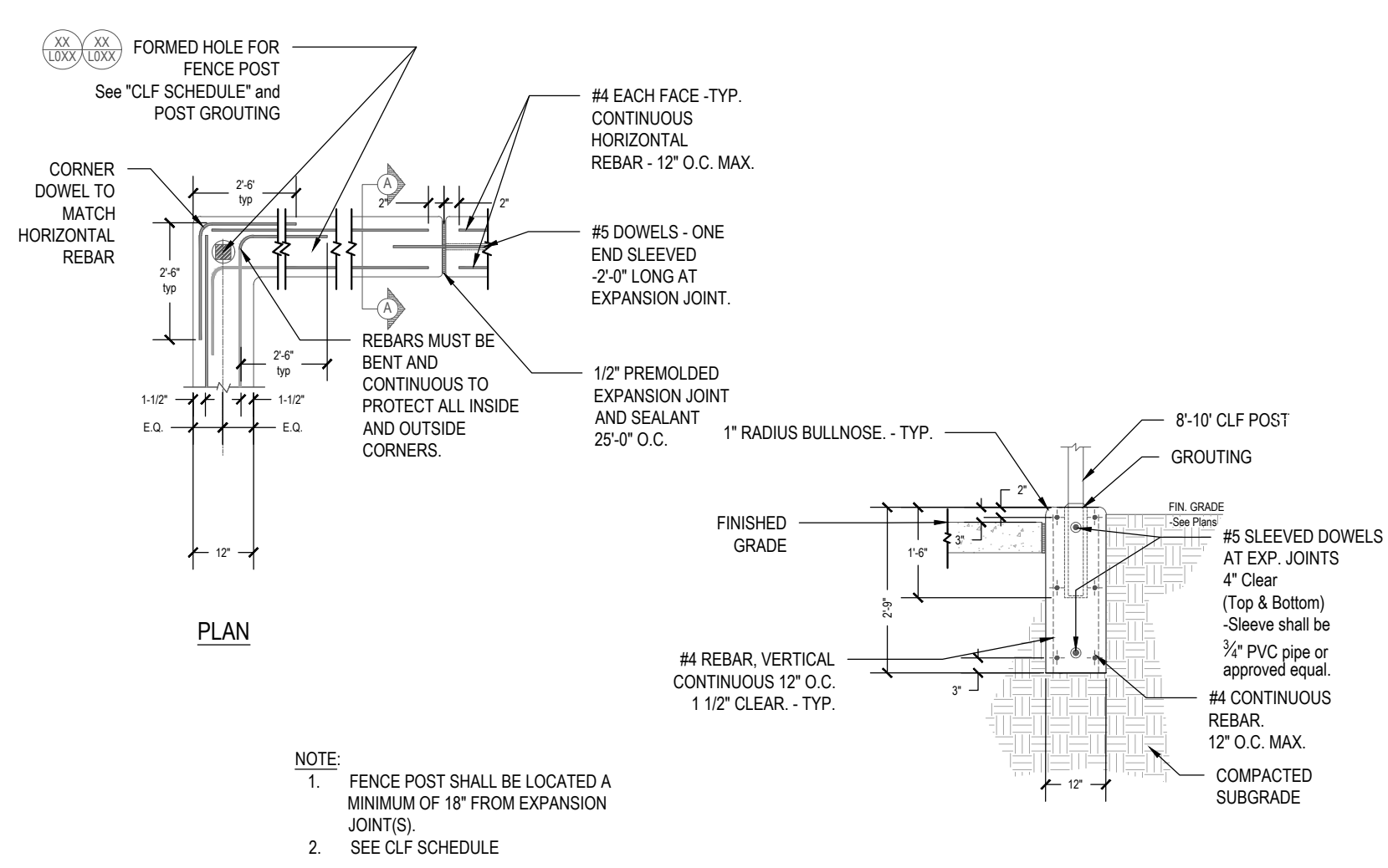
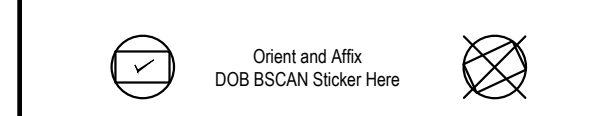
Checked By:

Date:

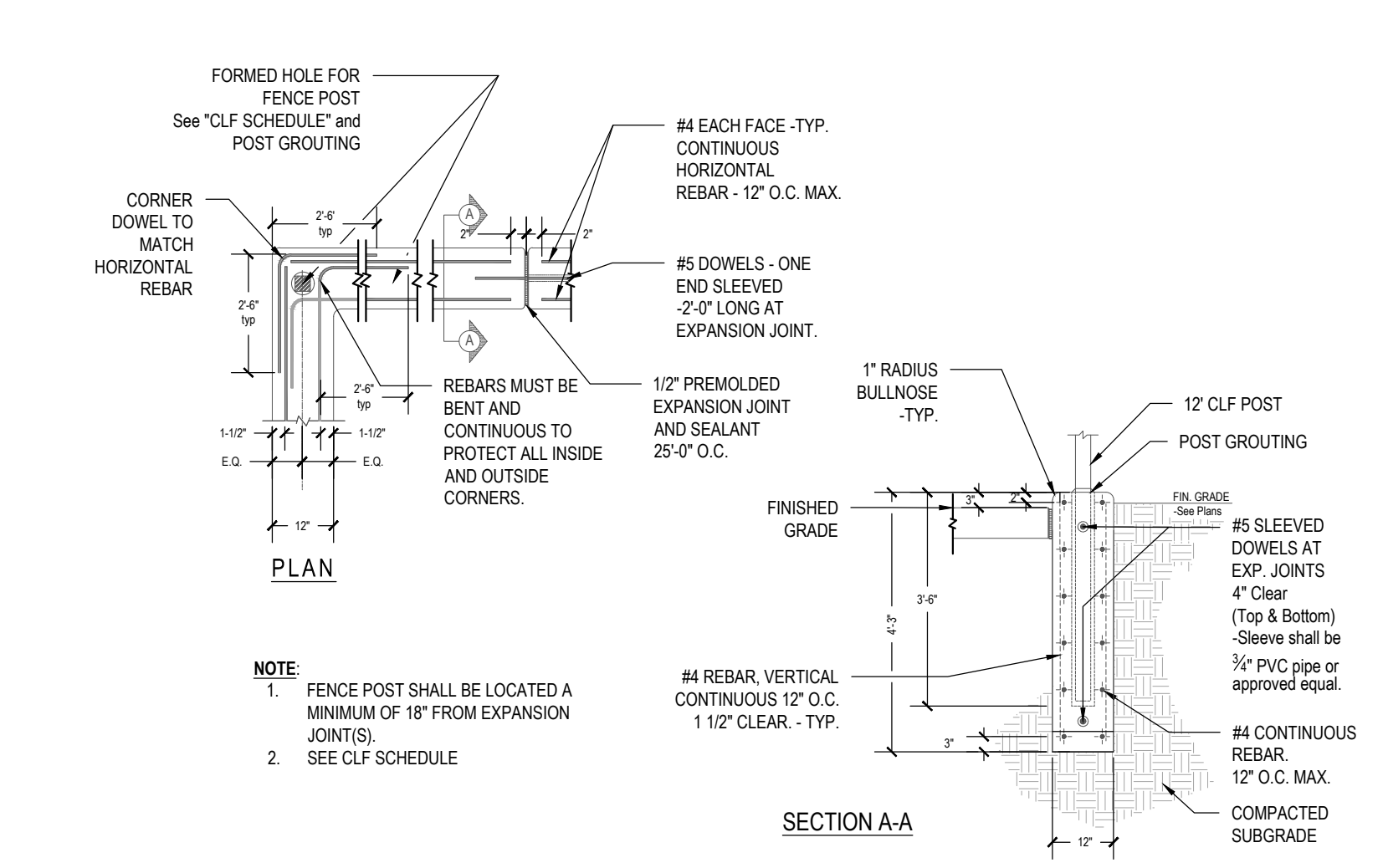
Scale: AS NOTED

Drawing No.:

Sheet: OF

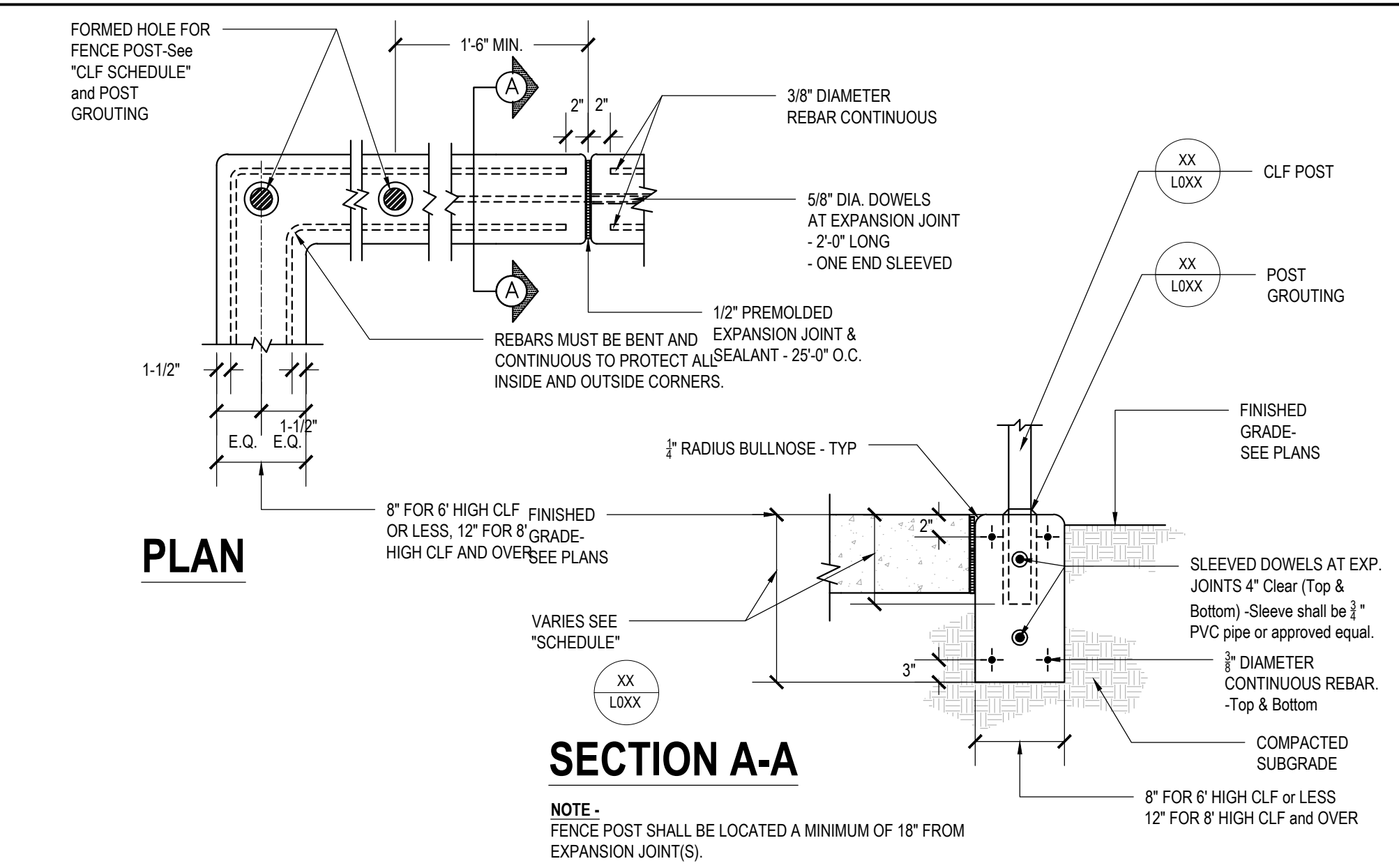


Concrete Curb for 8'-10' Chain Link Fence



Concrete Curb for 12' Chain Link Fence

Not to Scale



FLUSH CONCRETE CURB FOR CHAIN LINK FENCE

Not to Scale