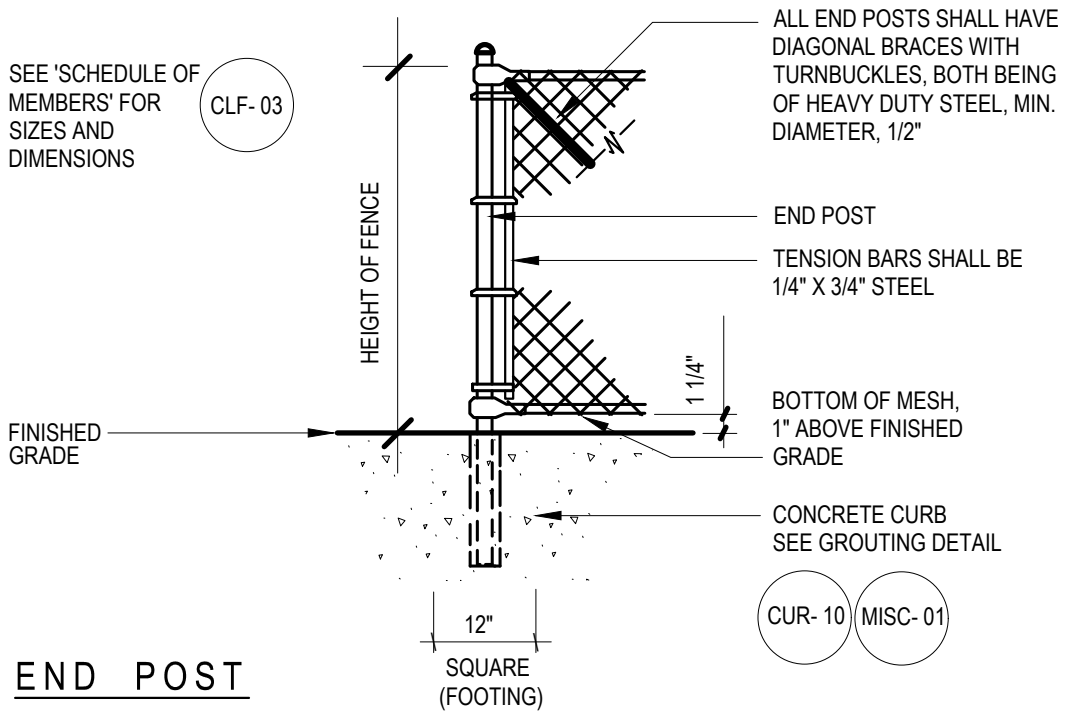


LINE POST



END POST



New York City Housing Authority
 Capital Projects Division
 Design Department
 90 Church Street, 10th Floor
 New York, NY 10007

Title:
**LINE and END POSTS
 for Chain Link Fence (CLF)**

Contract Name:
GROUNDS REQUIREMENT

Contract No.
GD XXXXXXXX
 Drawn by:
G. SOUKAS
 Checked by:
K. MARSHAL

Scale:
Not to Scale
 Date:
January 2017

Drawing No.
CLF- 02