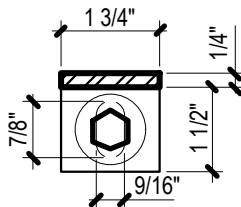
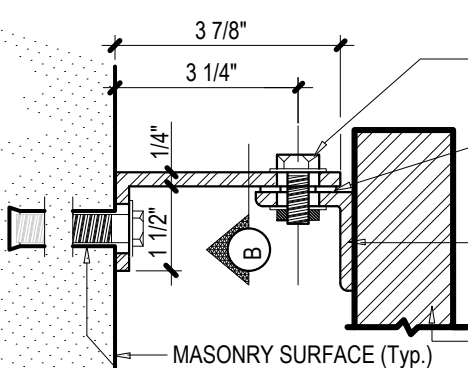
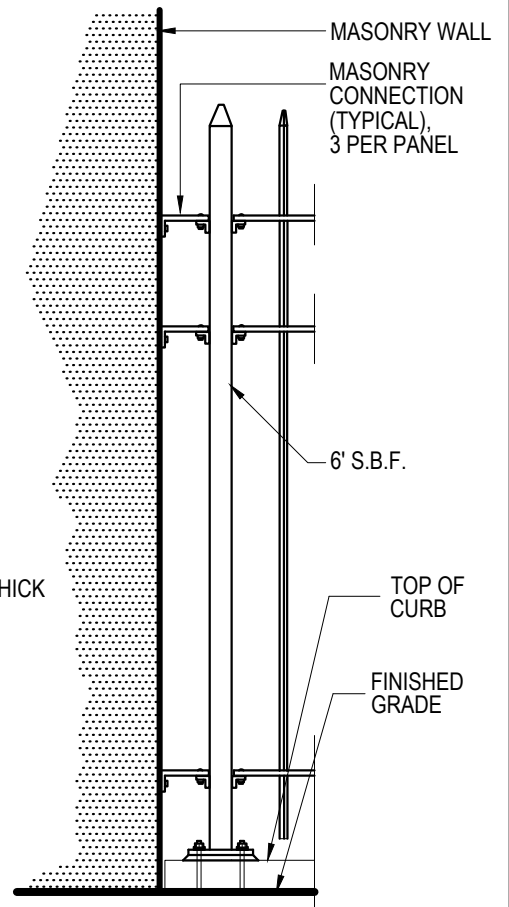


PLAN



SECTION "B"



SECTION "A"

3/8" MACHINE BOLT, 1" LONG, WITH BRASS FLAT WASHERS TOP AND BOTTOM, PEEN OVER END OF BOLT.

GRAY PVC FLAT WASHER SIZE=I.D. 9/16". O.D. 1-1/4", 1/16" THICK

1 3/4" X 1 3/4" X 1/4" ANGLE 1 3/4" LONG, LEG SHALL BE FULLY WELDED TO POST ON FOUR (4) SIDES.

2" SQ. FENCE POST

PHILLIPS RED HEAD SELF-1/2" X 3" MACHINE BOLT AND DRILLING EXPANSION ANCHOR



New York City Housing Authority
Capital Projects Division
Design Department
90 Church Street, 10th Floor
New York, NY 10007

Title:

**MASONRY CONNECTION
for 6' Steel Bar Fence**

Contract Name:

GROUNDS REQUIREMENT

Contract No.

GD XXXXXXX

Drawn by:

G. SOUKAS

Checked by:

K. MARSHAL

Scale:

Not to Scale

Date:

January 2017

Drawing No.

SBF- 27