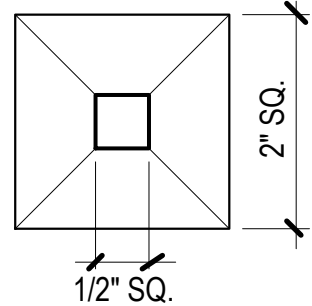
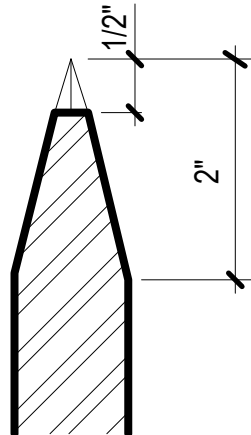


PICKET

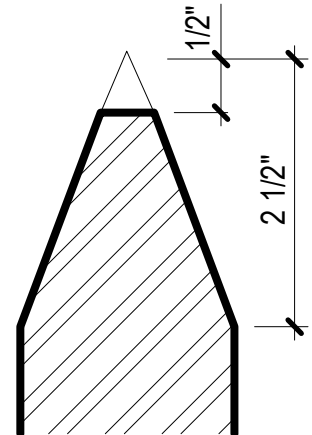


POST

PLAN



PICKET



P O S T

SECTIONS



New York City Housing Authority
 Capital Projects Division
 Design Department
 90 Church Street, 10th Floor
 New York, NY 10007

Title:

*BLUNTING
 for 6' Steel Bar Fence*

Contract Name:

GROUNDS REQUIREMENT

Contract No.

GD XXXXXX

Drawn by:
 G. SOUKAS

Checked by:
 K. MARSHAL

Scale:

Not to Scale

Date:

January 2017

Drawing No.

SBF- 31