

PROGRAM UNIT :

DATE	Rev. No.	SUBMISSION

Development:

Building Address:

Building No:

ORACLE No:

Borough of:

Zone No.:

Zoning Map No.:

Block No.:

Lot No.:

E.D.P. No.:

Development No.:

Contract Title:

RFQ No.:

Drawing Title:

3' STEEL BAR FENCE DETAILS

Seal & Signature:

Drawn By:

Checked By:

Date:

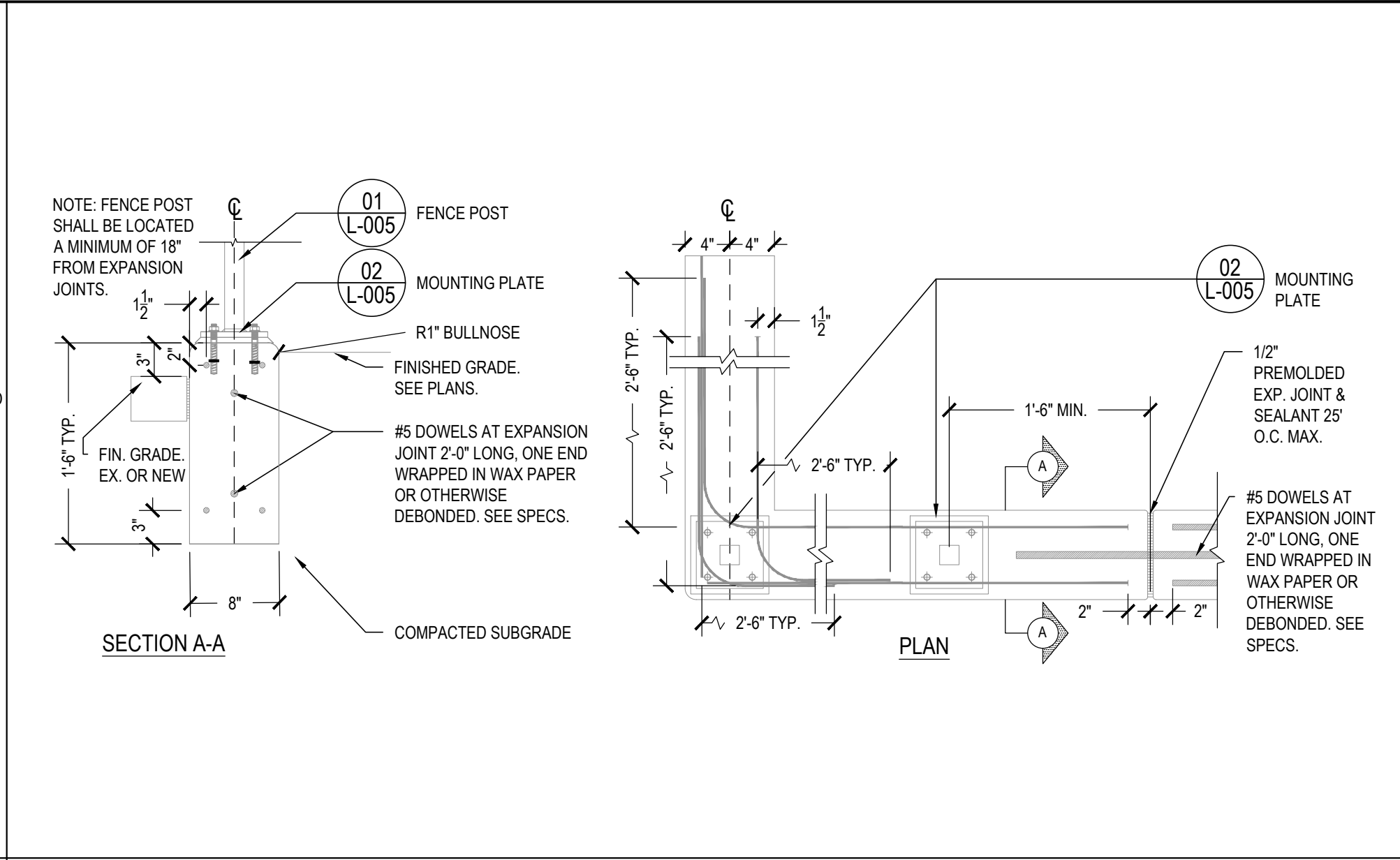
Scale: AS NOTED

Drawing No.:

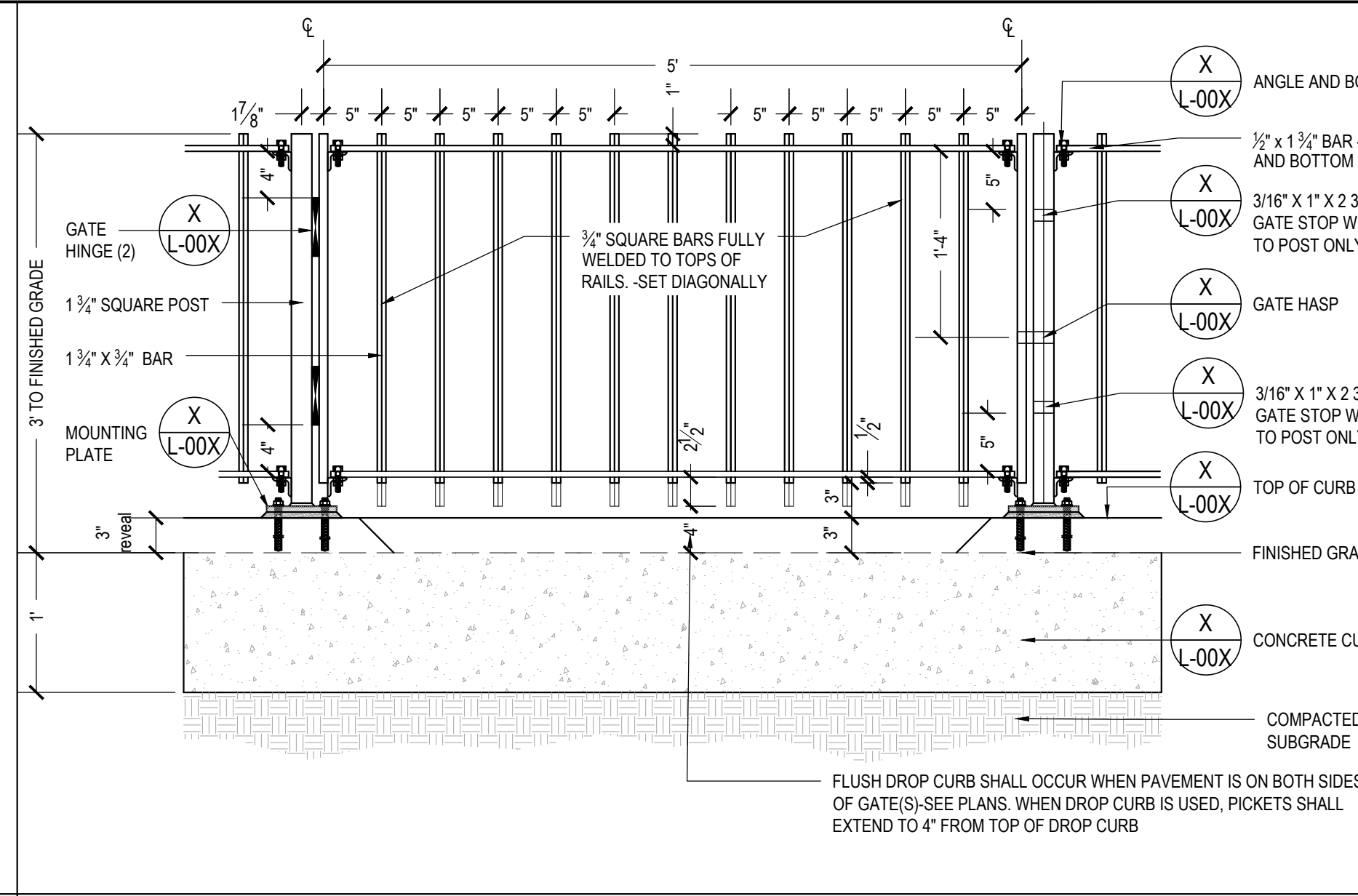
L-000.00

Sheet:

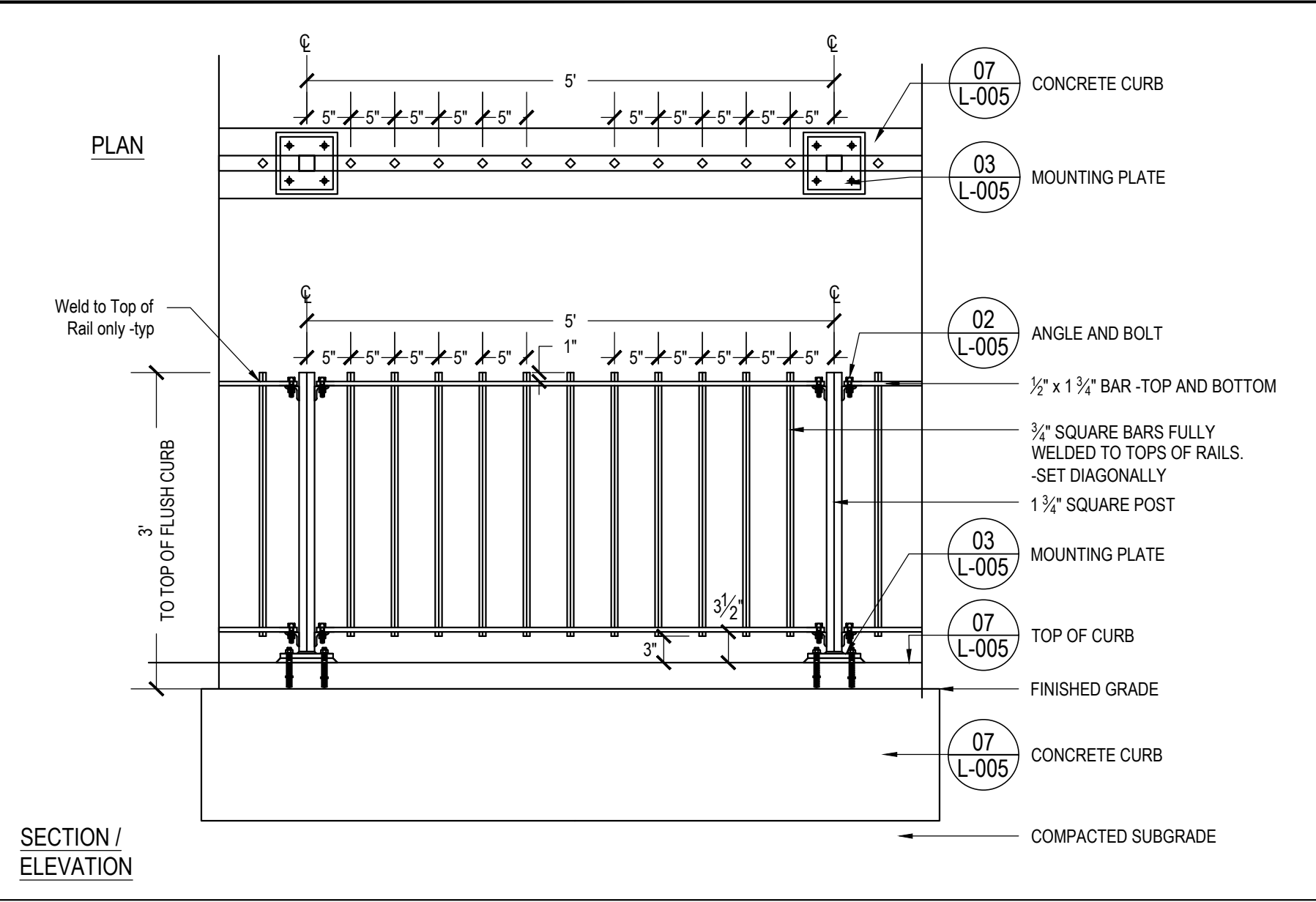
OF



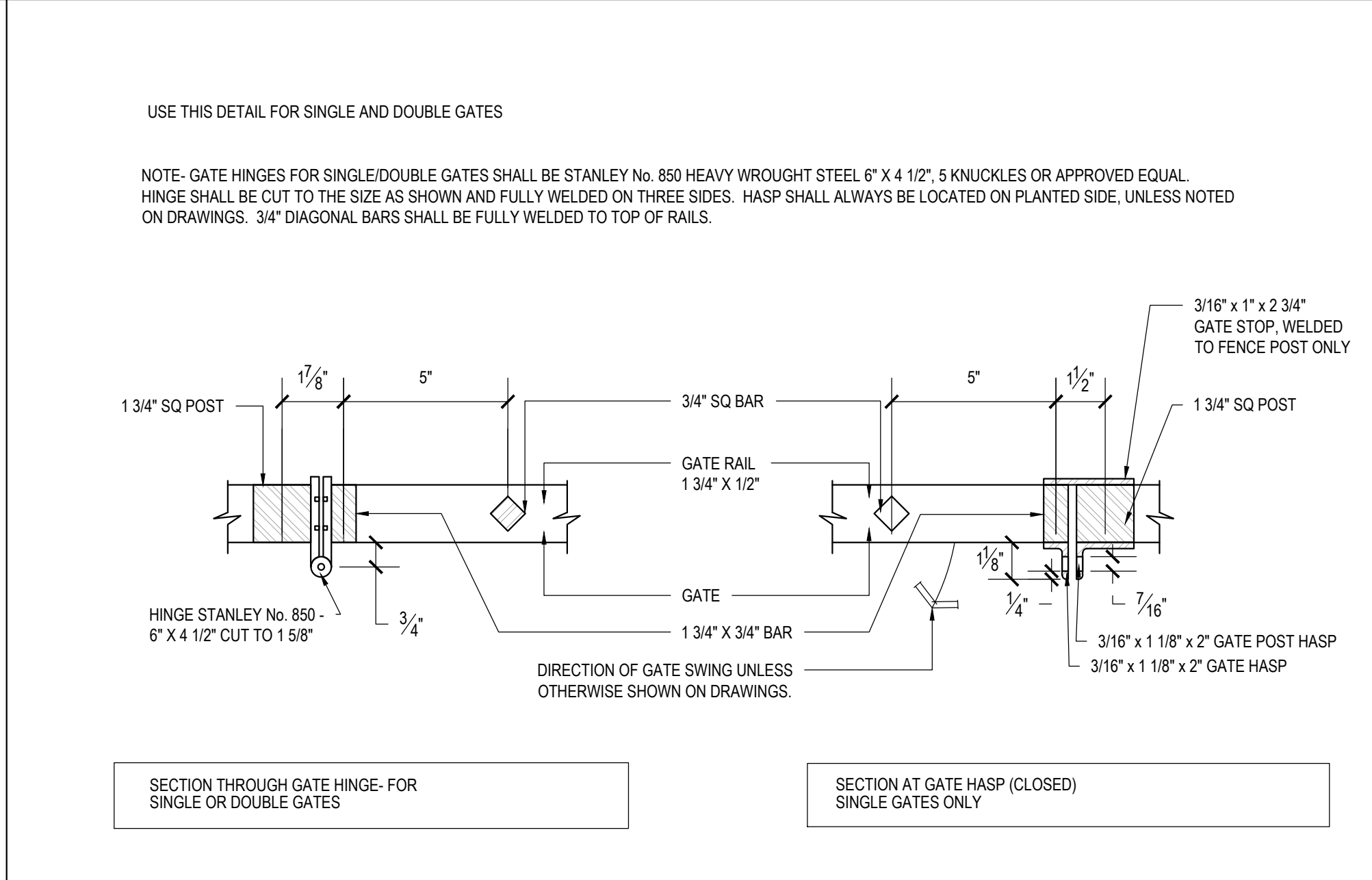
03 3" REVEAL CURB FOR 3' STEEL BAR FENCE
 SCALE: NTS



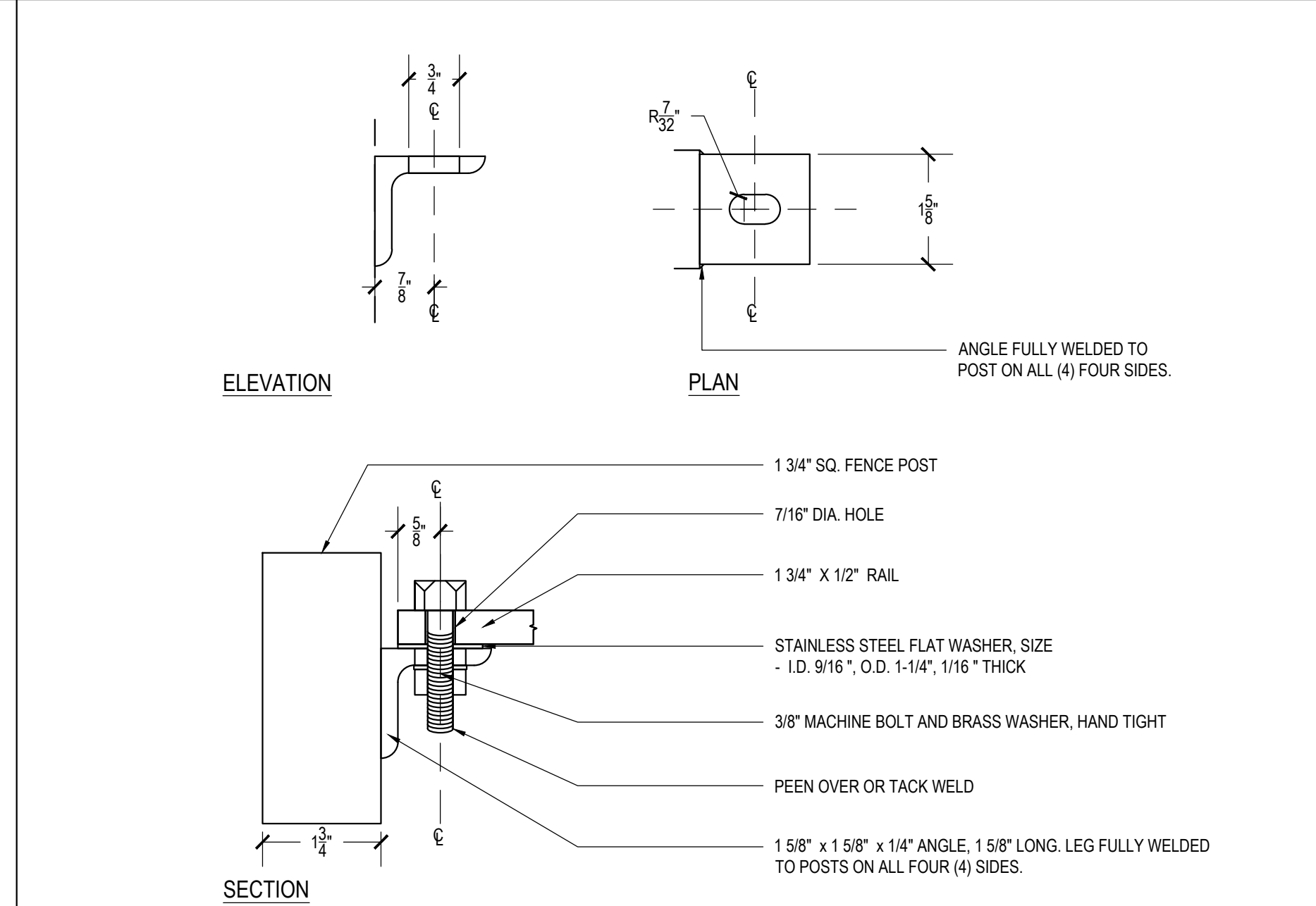
02 3' STEEL BAR FENCE SINGLE GATE
 SCALE: NTS



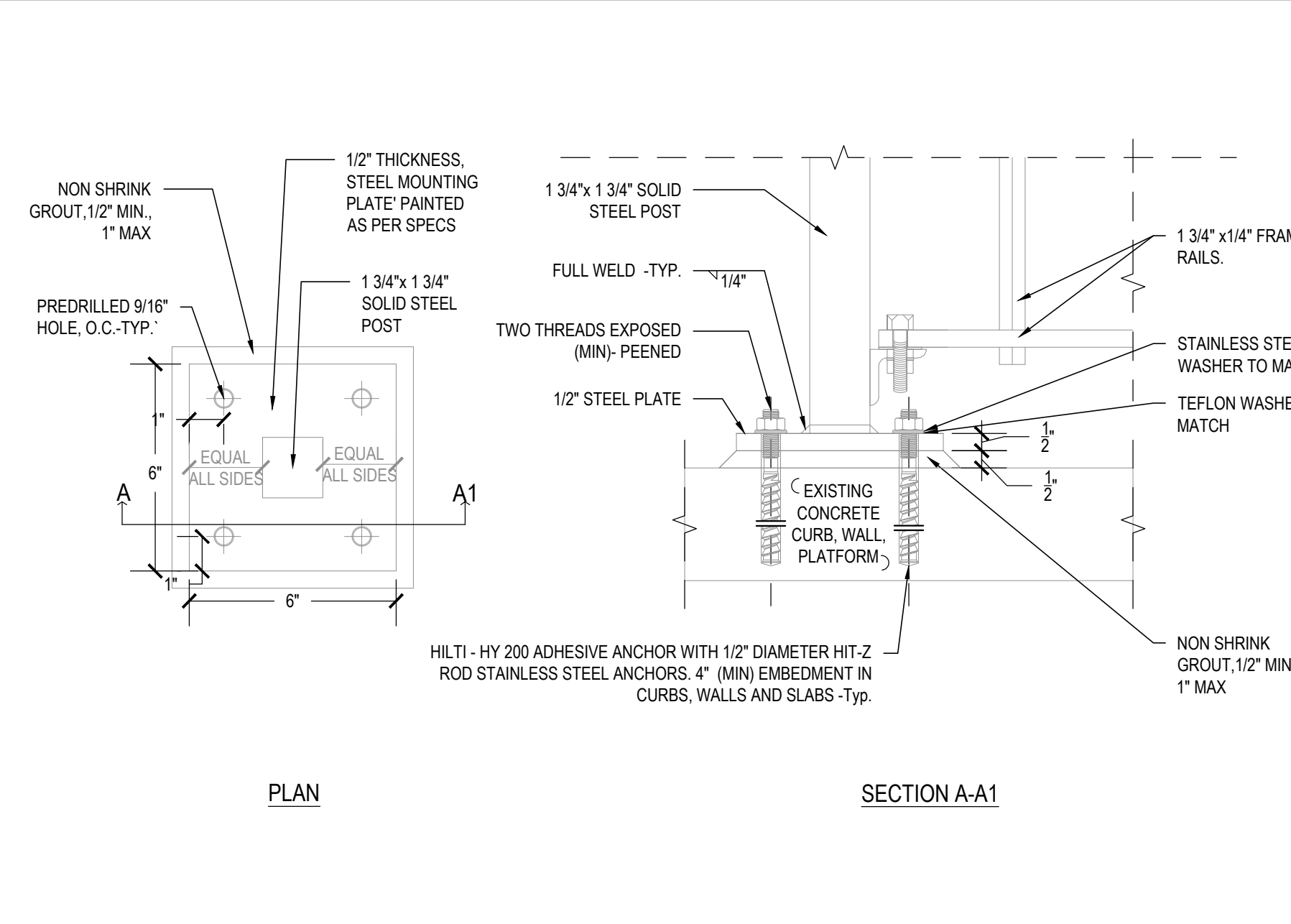
01 3' STEEL BAR FENCE IN 3" REVEAL CONCRETE CURB
 SCALE: NTS



06 GATE HING AND HASP FOR 3' STEEL BAR FENCE
 SCALE: NTS



05 ANGLE AND BOLT FOR 3' STEEL BAR FENCE
 SCALE: NTS



04 MOUNTING PLATE FOR 3' STEEL BAR FENCE
 SCALE: NTS