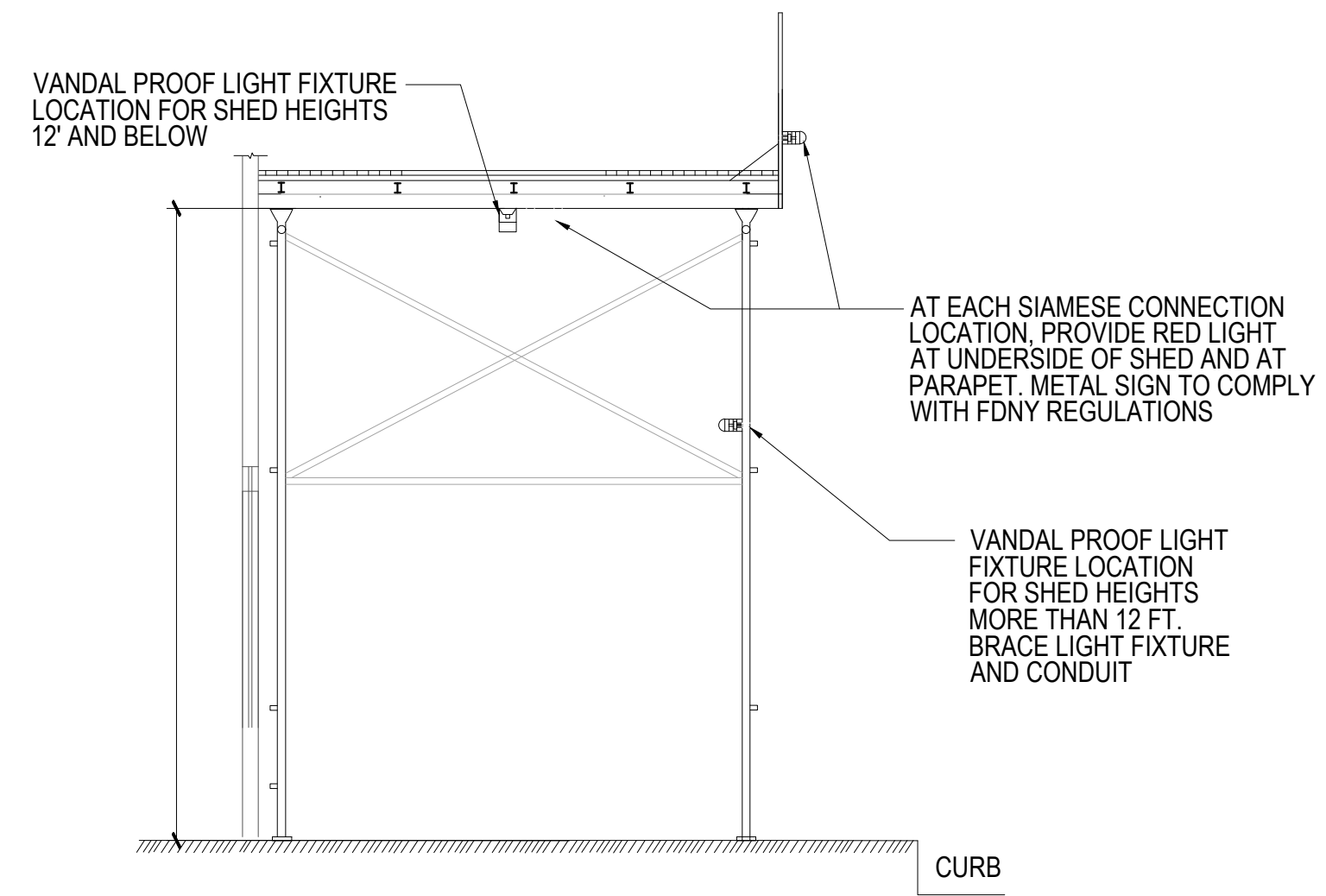
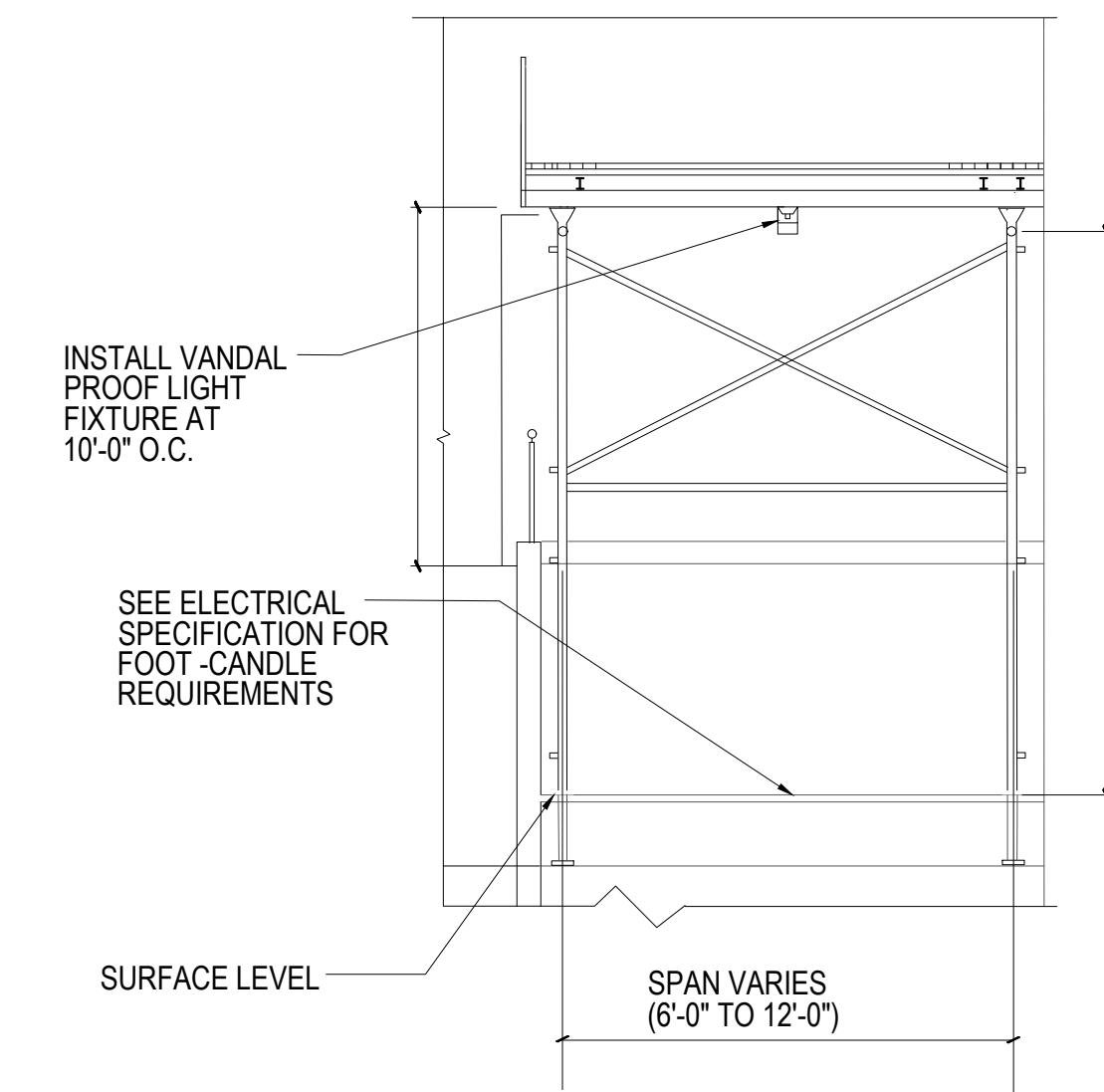


**SIDEWALK SHED ELECTRICAL NOTES:**

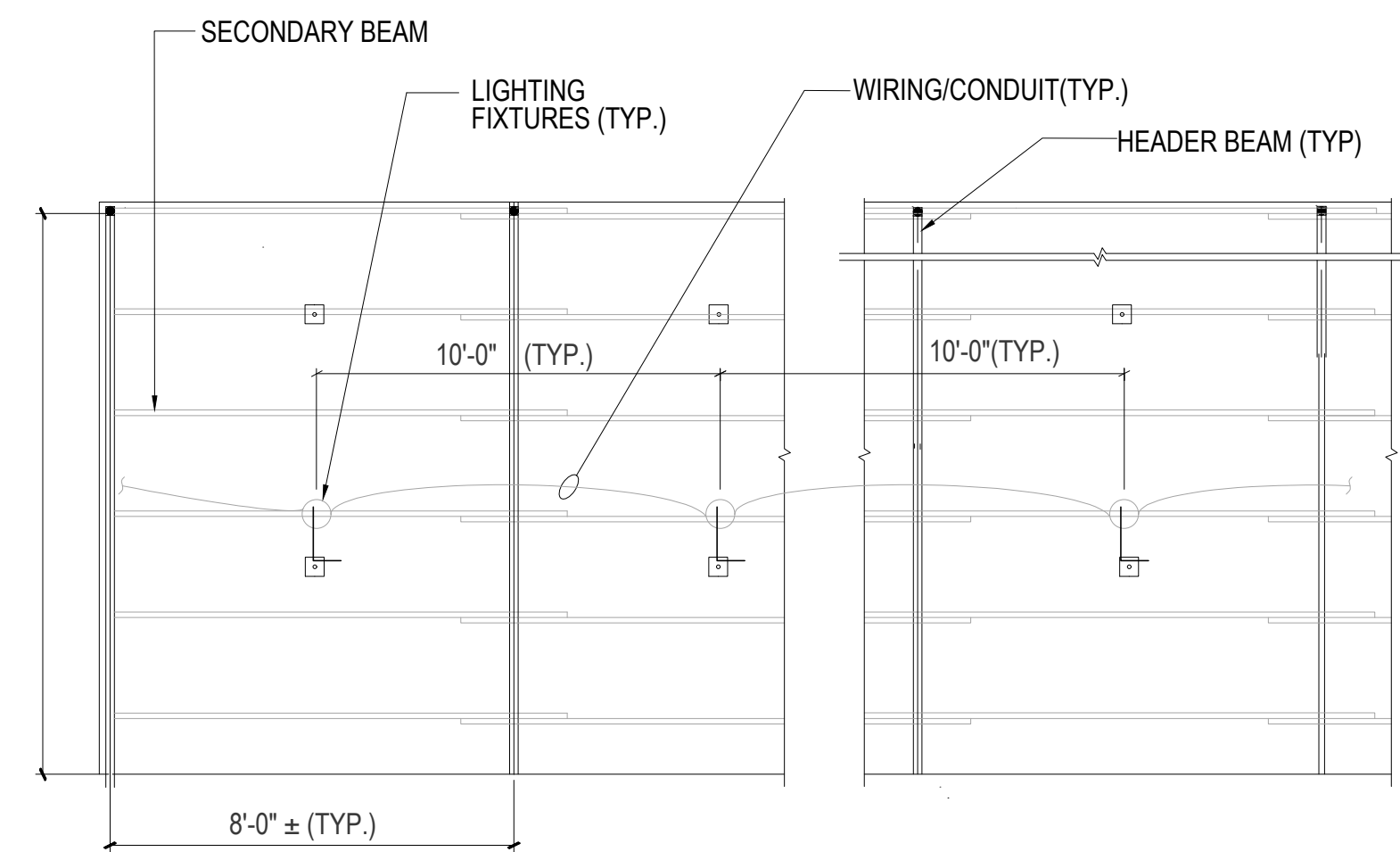
- USE GALVANIZED STEEL OR RIGID ALUMINUM RACEWAYS. MINIMUM SIZE CONDUIT SHOULD BE 3/4" DIA.
- ELECTRICAL METALLIC TUBING TYPE EMT IS NOT ACCEPTABLE (AS PER NEC NYC AMENDMENTS SECTION 358.12.7).
- TYPE NM (NONMETALLIC) CABLE (ROMEX) IS NOT ACCEPTABLE (AS PER NEC ARTICLE 334.12.B.4).
- JUNCTION BOXES MUST BE SUITABLE FOR DAMP OR WET LOCATIONS (AS PER NEC ARTICLE 314.15).
- MINIMUM WIRE SIZE REQUIRED IS NO. 12 (AS PER NYC AMENDMENTS SECTION 210.24). ALL WIRING METHODS ON A BUILDING MUST COMPLY WITH NEC ARTICLE 225.10. WIRE SIZE TO BE ADJUSTED FOR VOLTAGE DROP AS REQUIRES.
- ALL FIXTURES USED MUST BE SUITABLE FOR OUTDOOR LOCATIONS (AS PER NEC ARTICLE 410.10.A).
- ALL CIRCUIT BREAKERS SHALL BE GFI TYPE.
- FIXTURE/LUMINAIRE SUPPORT AS PER NYC ELECTRICAL CODE ARTICLE 410.30 AND 410.36.
- THE INSTALLATION MUST BE PROPERLY GROUND AND BONDED (AS PER NEC ARTICLE 250.250.18, 250.22. IF RESISTANCE TO THE EARTH IS EXCEEDING THE REQUIRED 25 OHM AFTER INSTALLING 10 FT., CONTRACTOR WILL BE REQUIRED TO GROUND ROD EVERY 50 FEET TO ACHIEVE 25 OHM REQUIREMENT).
- POWER CAN BE FED FROM A PANEL OR A BRANCH CIRCUIT USING 20 AMP BRANCH CIRCUIT (AS PER NEC NYC AMENDMENTS SECTION 590.6 GROUND- FAULT PROTECTION SHALL BE PROVIDED).
- THE PANEL THAT IS SUPPLYING THE POWER TO THE SIDEWALK SHED LIGHTING MUST HAVE A DIRECTORY THAT INDICATES WHICH CIRCUIT IS BEING UTILIZED TO SUPPLY THE POWER (AS PER NEC ARTICLE 408.4).
- THE USE OF ENERGY EFFICIENT LIGHT BULBS AND FIXTURES ARE REQUIRED TO REDUCE ENERGY CONSUMPTION AND SAVE MONEY.
- ALL SIDEWALK SHED ELECTRICAL INSTALLATIONS MUST BE INSTALLED BY A NEW YORK CITY LICENSED ELECTRICIAN AND MUST BE DONE IN ACCORDANCE WITH NEC 2014, ELECTRICAL CODE AND THE NYC AMENDMENTS TO THE 2008 NEC (LOCAL LAW 39/2011), AND/OR LATEST NYC ELECTRICAL CODE IN EFFECT AT TIME OF INSTALLATION.
- SHED DESIGNS MUST MEET PERFORMANCE STANDARDS ESTABLISHED BY 3307.6.5 AND BE CONSISTENT WITH THE 2014 NYC ELECTRICAL CODE. THE APPLICANT OF RECORD MUST HAVE CALCULATIONS/SPECIFICATIONS THAT INDICATE THE DESIGN MEETS THOSE STANDARDS; THESE CALCULATIONS/SPECIFICATIONS MUST BE MADE AVAILABLE TO NYCHA UPON REQUEST.
- SIDEWALK SHED PLANS MUST DETAIL THE LIGHTING LAYOUT INCLUDING: TYPE OF FIXTURES; TYPE AND RATING OF LIGHT SOURCE; HORIZONTAL SPACING OF FIXTURES; VERTICAL HEIGHT OF FIXTURES ABOVE SIDEWALK LEVEL; AND TYPE OF CONDUIT.
- ELECTRICAL PERMITS ARE REQUIRED, AND ONLY A NYC-LICENSED ELECTRICIAN MAY INSTALL THE ELECTRICAL WORK.
- ALL TEMPORARY WALKWAYS SHALL BE ILLUMINATED AT ALL TIMES. THE LEVEL OF ILLUMINATION SHALL BE A MINIMUM FOUR (4) FEET CANDLE MEASURED AT THE LEVEL OF THE WALKING SURFACE AS PER ELECTRICAL SPECIFICATION. ALL LAMPS SHALL BE ENCLOSED IN VANDAL-PROOF FIXTURES, HAVE A MINIMUM LUMINOUS EFFICIENCY OF 45 LUMENS PER WATT OR GREATER AND BE RATED TO OPERATE AT TEMPERATURES OF 5 DEGREES FAHRENHEIT AND HIGHER. [ARTIFICIAL] LIGHTING UNITS SHALL BE INSPECTED [NIGHTLY] DAILY; AND BURNED OUT OR INOPERATIVE UNITS SHALL BE REPLACED OR REPAIRED IMMEDIATELY.
- ALL POWER TO THE ELECTRICAL SHED INSTALLATION IS GROUND FAULT CIRCUIT INTERRUPTION (GFCI) PROTECTED AS PER NEC NYC AMENDED SECTION 590.6.
- ALL RACEWAYS ARE TERMINATED AND SUPPORTED PROPERLY AS PER NEC ARTICLE 300.
- ELECTRICAL INSTALLATION DOES NOT POSE A SAFETY HAZARD TO THE PUBLIC.
- BUILDING DEPT. BUREAU OF ELECTRICAL CONTROL (BEC) FILING, PERMITS AND SIGN-OFF SHALL BE OBTAINED BY A LICENSED ELECTRICIAN FOR EACH INSTALLATION.
- PROVIDE A RED BULB ADJACENT TO ALL SIAMESE CONNECTIONS AND SPRINKLER CONNECTIONS.
- FIELD CONDITIONS: MODIFY LAYOUT AS REQUIRED TO PROVIDE CODE COMPLAINT COVERAGE AT ALL AREAS BELOW SHED. DO NOT PERMIT BEAMS, COLUMNS, CANOPIES, SOFFITS AND WALL TO CREATE DARKENED AREAS.
- 2 #12, 1#12G IN 3/4" DIA. SHALL BE USED TO FEED RED LIGHT LOCATED NEAR SIAMESE CONNECTION.
- SEE SPECIFICATION FOR NUMBER OF LIGHTING FIXTURES REQUIRED PER SIDEWALK SHED HEIGHT.



**1 STANDARD SHED DETAILS**  
NOT TO SCALE

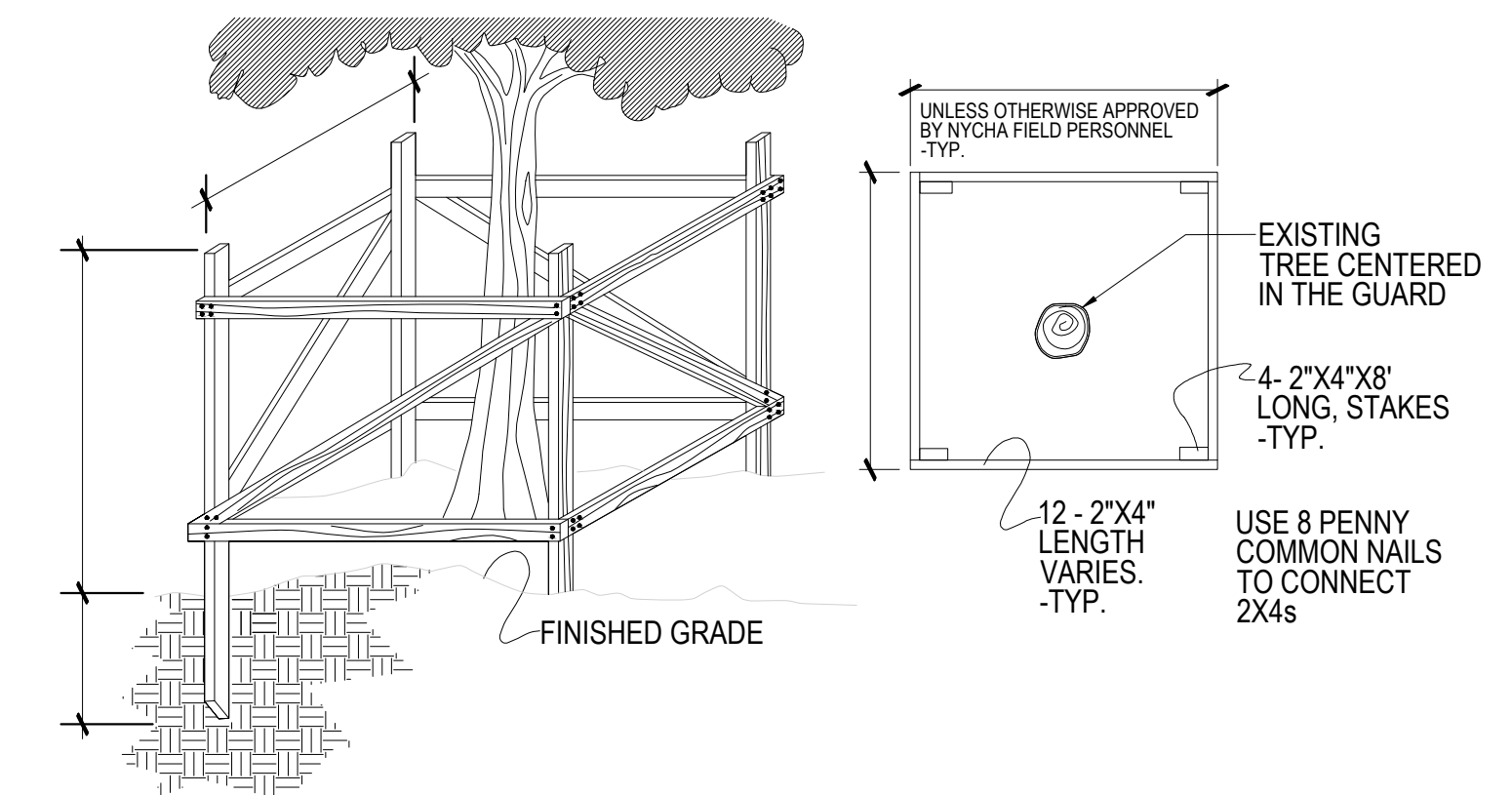


**2 SIDEWALK SHED CROSS SECTION FOR SLOPING SURFACE**  
NOT TO SCALE



NOTE:  
ALL METAL PARTS SHALL BE GROUND.

**3 SIDEWALK SHED LIGHTING PLAN**  
NOT TO SCALE



**4 TEMPORARY WOODEN TREE GUARD**  
NOT TO SCALE

**NOTES:**

- PROVIDE ORANGE COLOR VINYL CONSTRUCTION NETTING AROUND THE TREE GUARD.