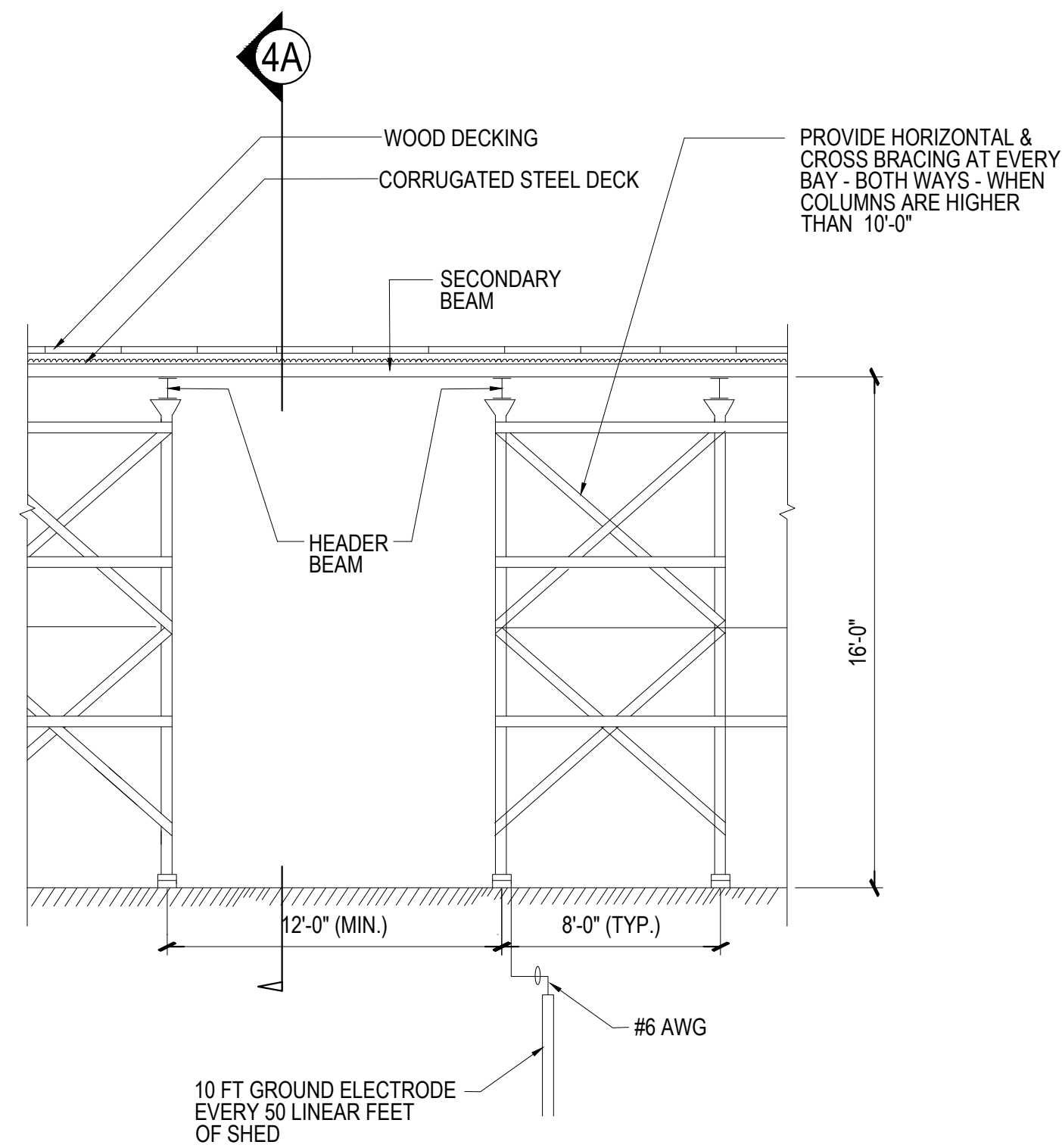
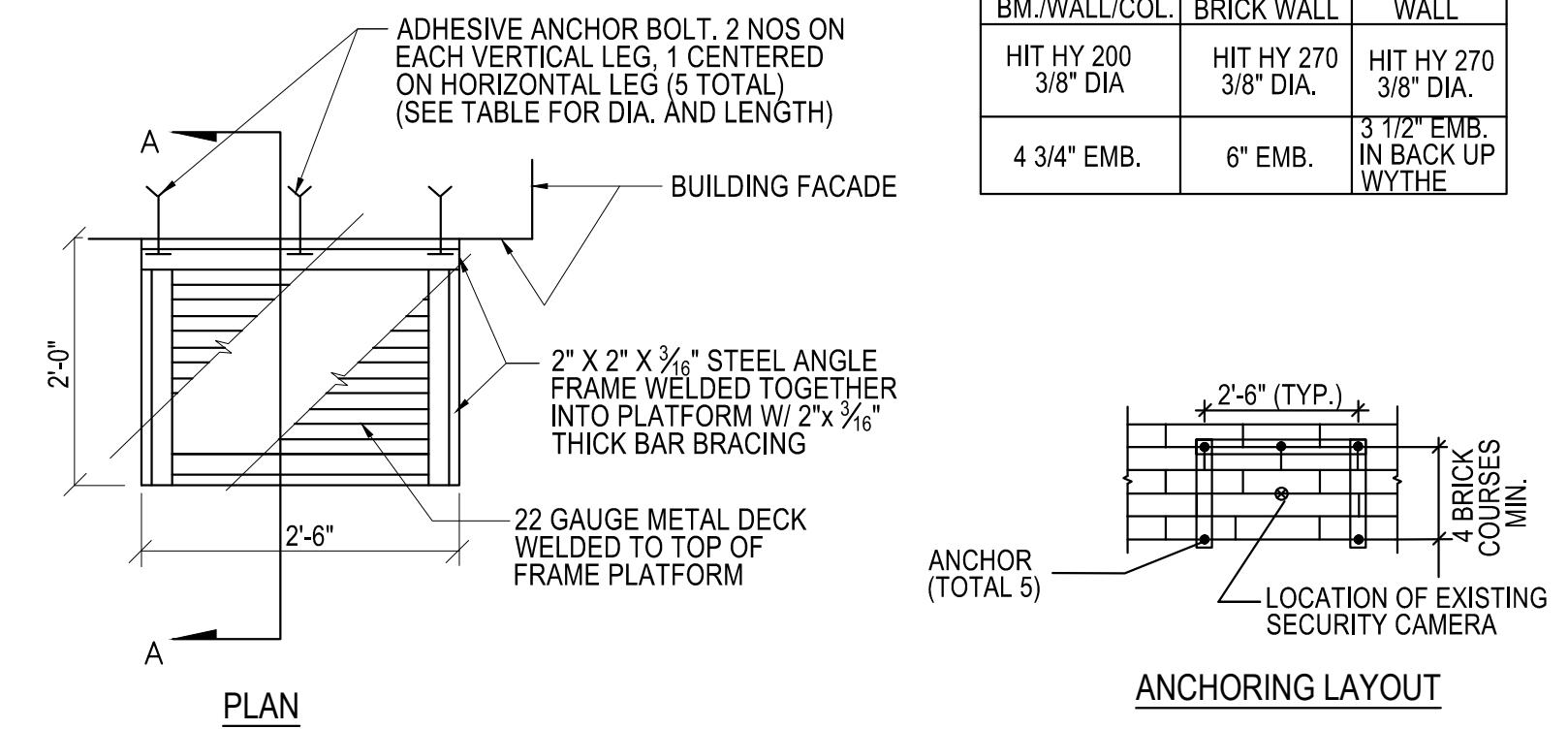


4A SECTION OF SIDEWALK SHED W/ HEIGHT GREATER THAN 8'-0"
NOT TO SCALE

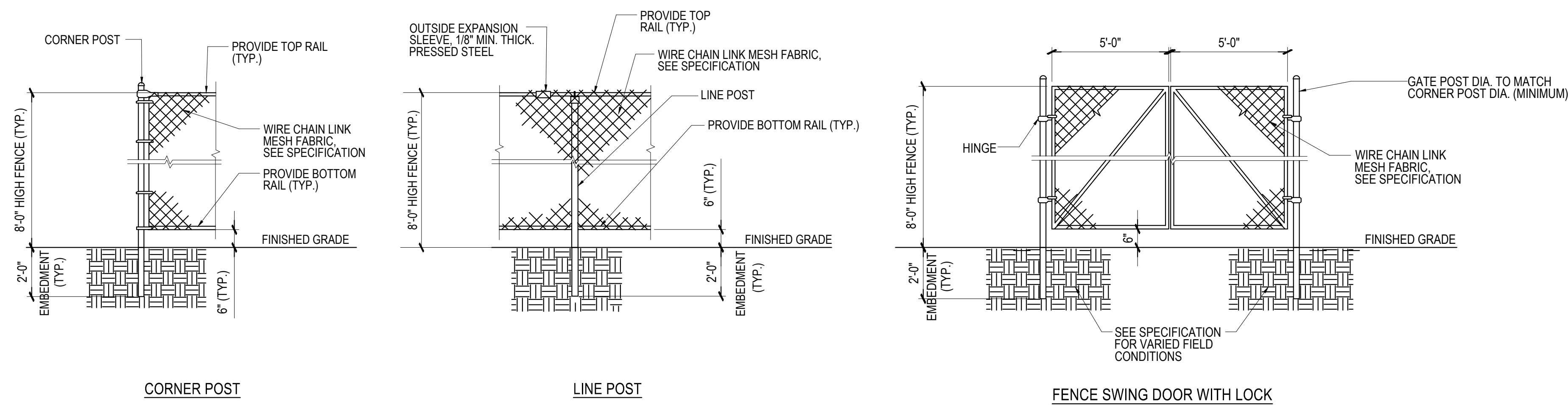


4 ELEVATION OF SIDEWALK SHED W/ BRIDGE
NOT TO SCALE



12 CCTV CAMERA PROTECTION DETAIL
NOT TO SCALE

NOTE:
ALL COMPONENTS OF CAMERA PROTECTION FRAMING SHALL BE HOT DIPPED GALVANIZED AFTER FABRICATION.



5 TEMPORARY CHAIN LINK FENCE DETAILS
NOT TO SCALE

NOTES:

1. THE CONTRACTOR SHALL HIRE A PROFESSIONAL ENGINEER, LICENSED IN NYC TO DESIGN TEMPORARY FENCE AS PER NYC BC LOADING CRITERIA AND PROVIDE A LAYOUT THAT SATISFIES ALL CODE REQUIREMENTS. THE CONTRACTOR SHALL SUBMIT THEIR PROPOSED FENCE SHOP DRAWINGS TO DESIGNER OF RECORD (D.O.R.) AND NYCHA FOR REVIEW.
2. CONTRACTOR MAY ADJUST FENCE TO ACCOMMODATE THE CONSTRUCTION /SITE AMENITIES, CURB, PAVEMENT, ETC. THE CONTRACTOR SHALL CONTACT THE NYCHA'S REPRESENTATIVE FOR APPROVAL PRIOR TO MAKING ADJUSTMENTS.
3. UNLESS OTHERWISE NOTED, ALL C.L.F. MESH SHALL BE 11 GA. 2" SQUARE.
4. THE CONTRACTOR SHALL PERFORM LAWN MAINTENANCE BY CUTTING GRASS AND CLEANING TRASH FROM FENCED AREA.
5. WHERE REQUIRED, PROVIDE SINGLE GATE FOR 4'-0" WIDE OPENING AND DOUBLE GATE FOR 10'-0" WIDE OPENING.
6. PROVIDE 10 FT GROUND ELECTRODE EVERY 50 LINEAR FEET OF FENCE. WHEN A STRETCH IS LESS THAN 50 LINEAR FEET, PROVIDE AT LEAST ONE TEMPORARY GROUNDING SYSTEM.
7. INSTALL DEBRIS NETTING ON ALL CHAINLINK FENCE AS PER NYC CODE